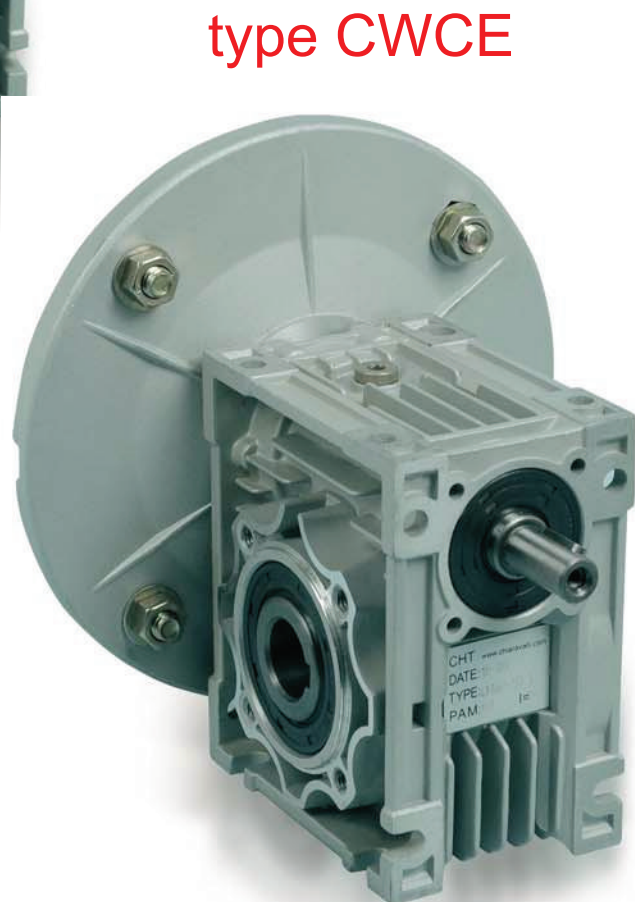
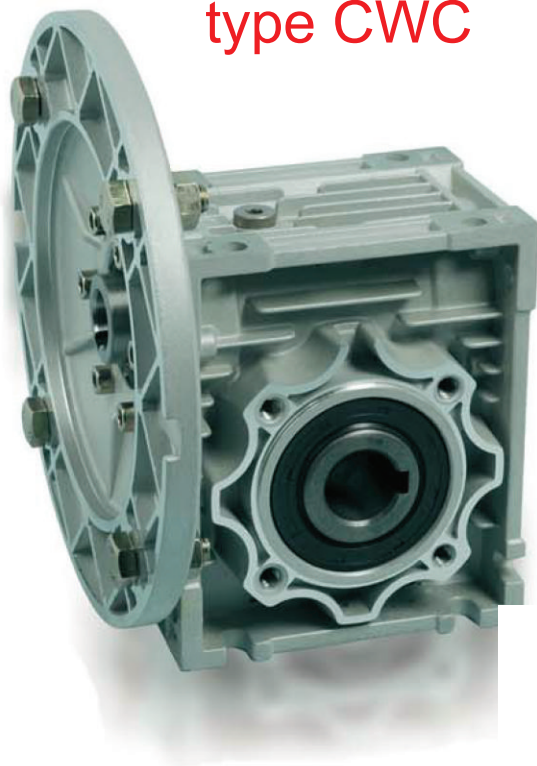


## Worm Gearboxes

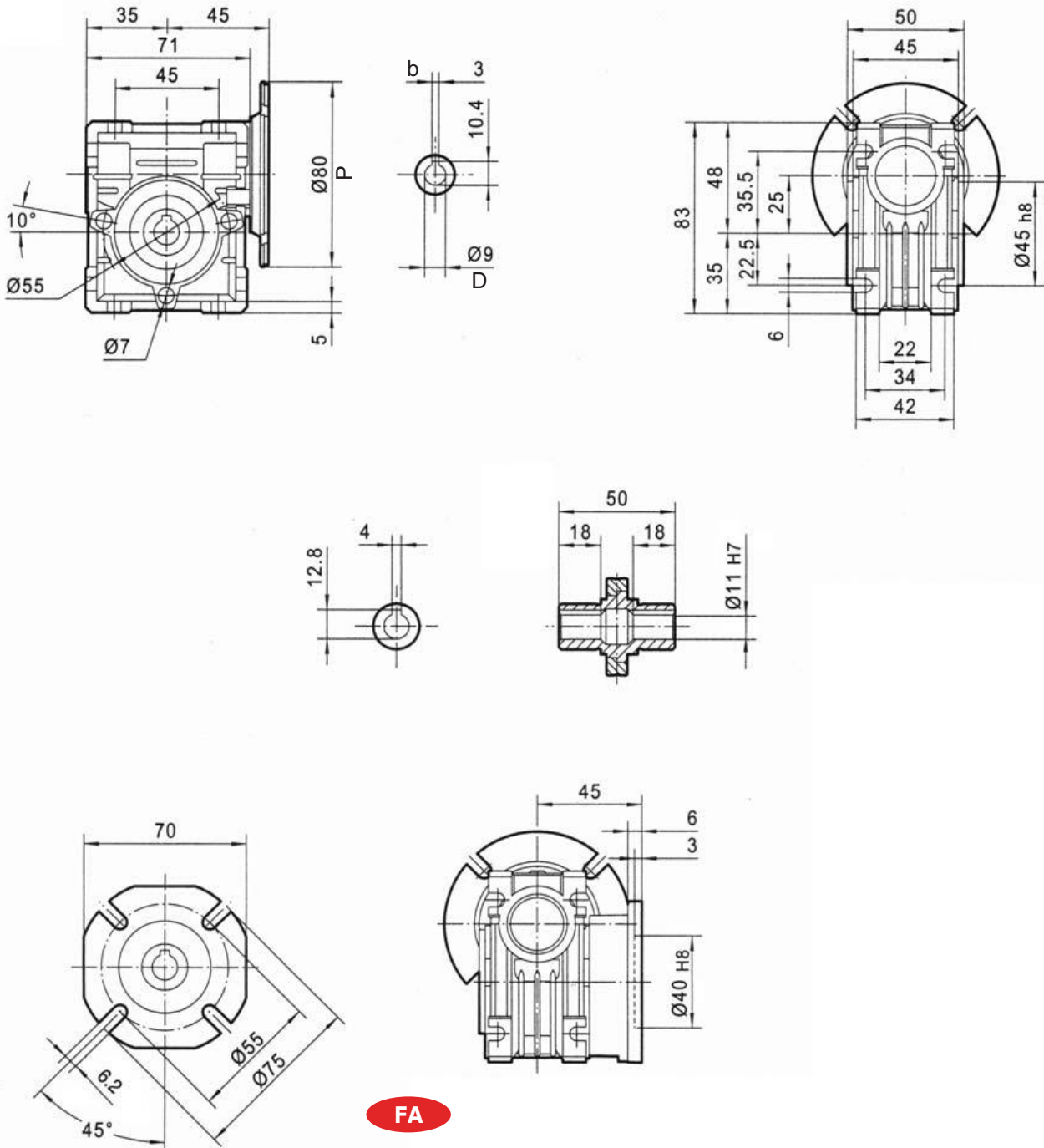
## CWC and CWCE



# Worm Gearboxes

# CWC025

Dimensions: mm



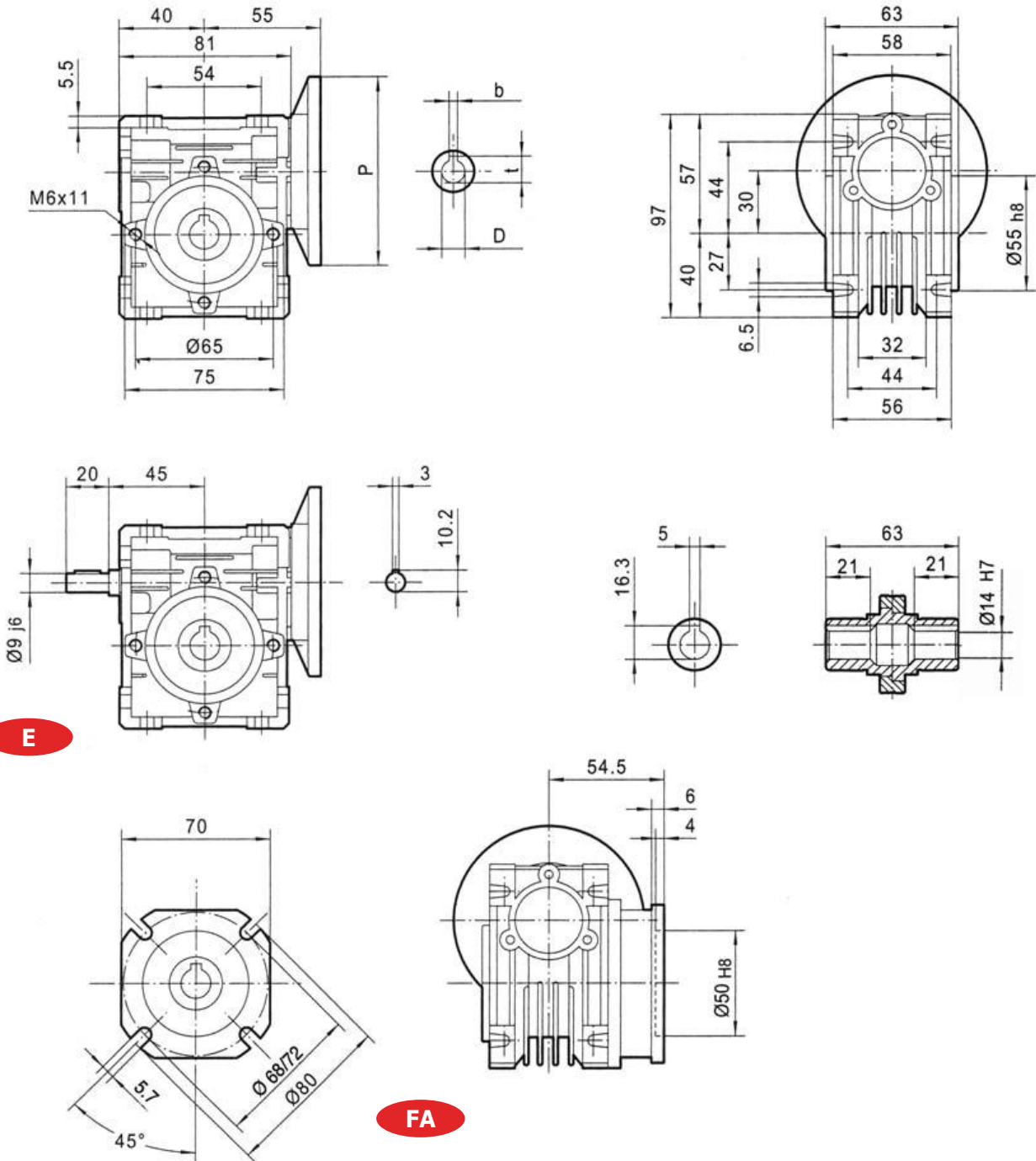
**Gearbox Mass: 0.7kg**

INPUT (mm)							
Frame Size:	P:	D:	b:	Frame Size:	P:	D:	b:
B5	-	-	-	56B14	80	9	3

# Worm Gearboxes

# CWC030

Dimensions: mm



**Gearbox Mass: 1.2kg**

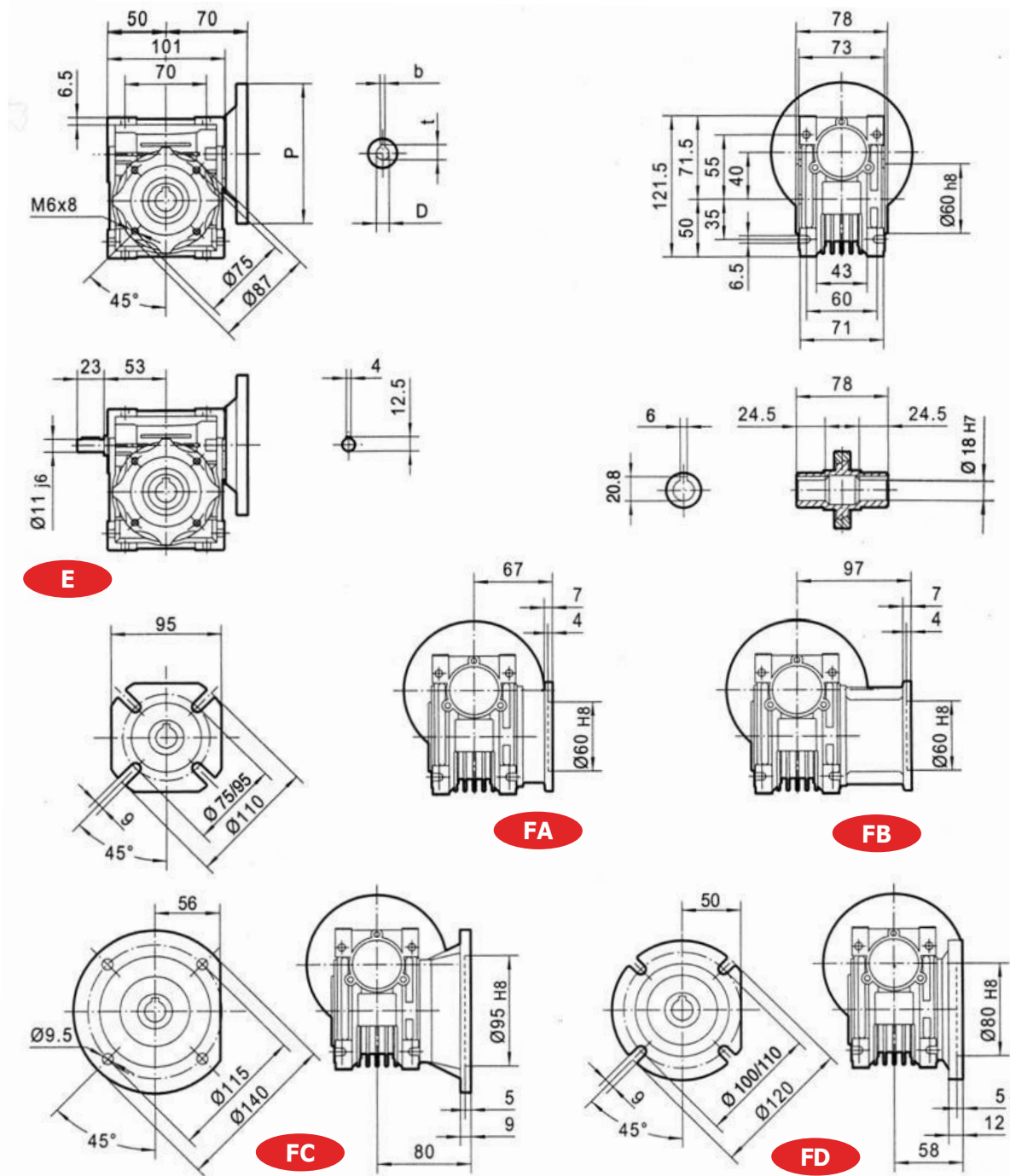
INPUT OPTIONS (mm)

Frame Size:	P:	D:	b:	Frame Size:	P:	D:	b:
63B5	140	11	4	63B14	90	11	4
56B5	120	9	3	56B14	80	9	3

# Worm Gearboxes

# CWC040

Dimensions: mm



**Gearbox Mass: 2.3kg**

INPUT OPTIONS (mm)

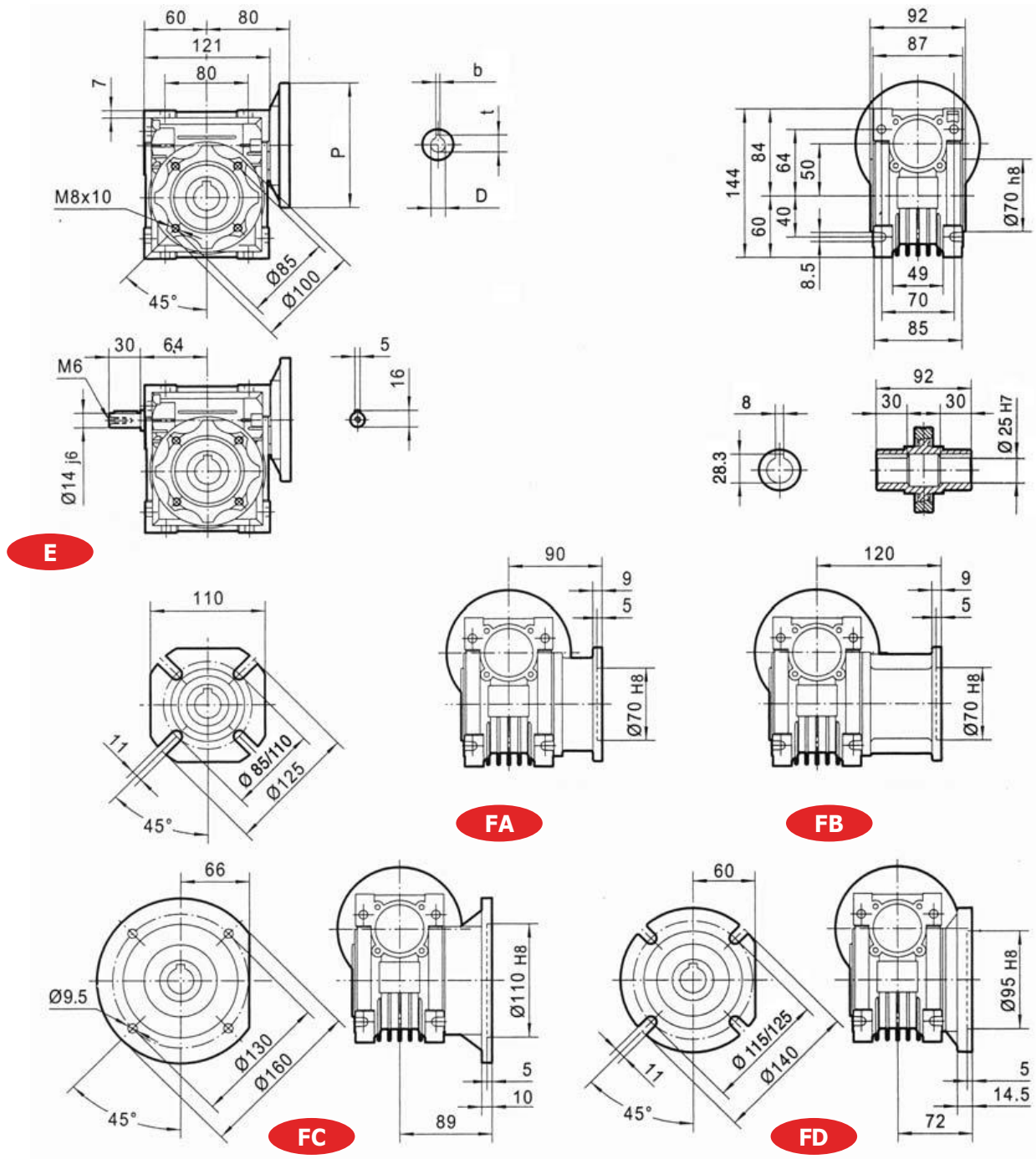
Frame Size:	P:	D:	b:	Frame Size:	P:	D:	b:
71B5	160	14	5	71B14	105	14	5
63B5	140	11	4	63B14	90	11	4
56B5	120	9	3				



# Worm Gearboxes

# CWC050

Dimensions: mm



**Gearbox Mass: 3.5kg**

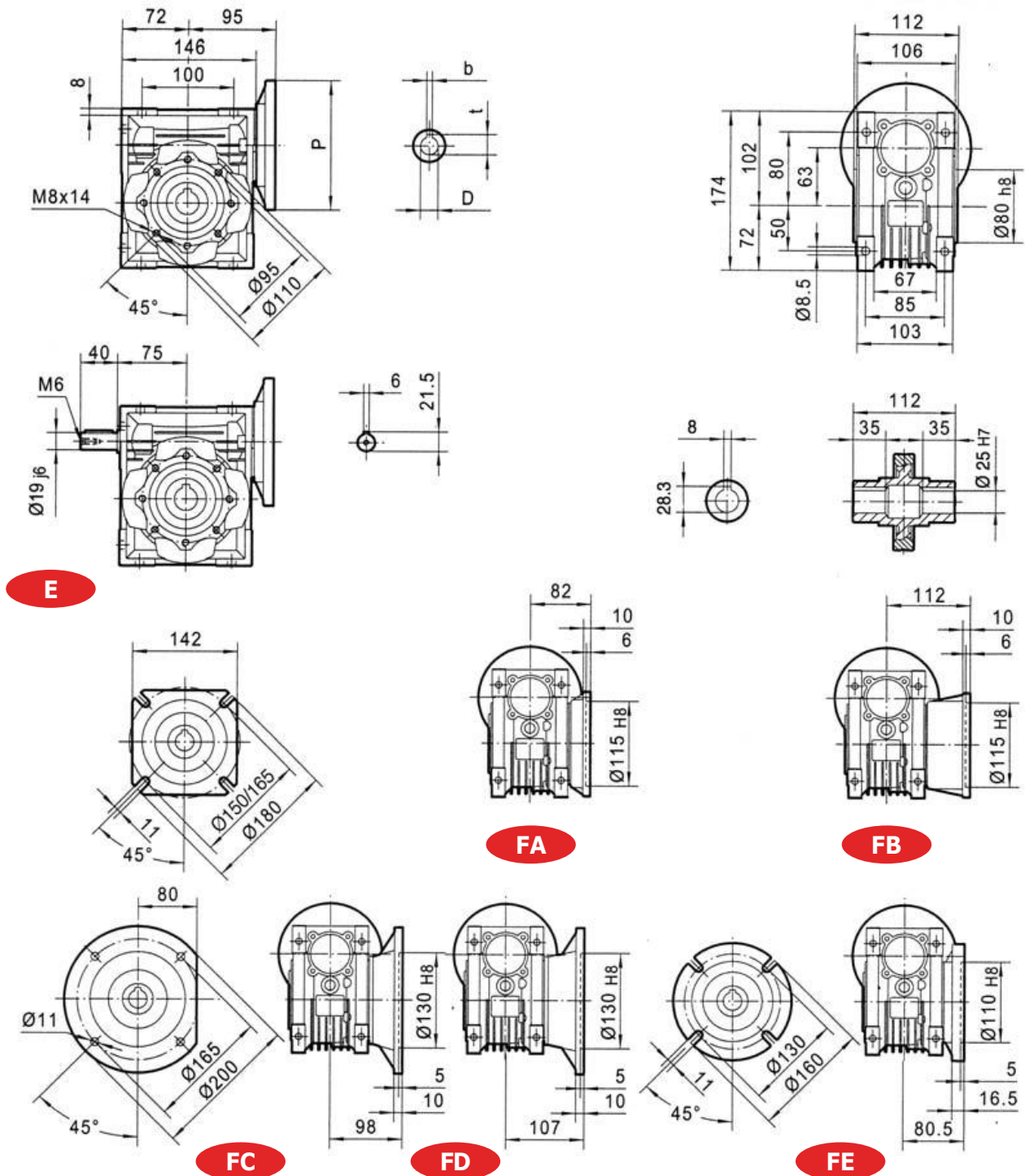
INPUT OPTIONS (mm)

Frame Size:	P:	D:	b:	Frame Size:	P:	D:	b:
80B5	200	19	6	80B14	120	19	6
71B5	160	14	5	71B14	105	14	5
63B5	140	11	4				

# Worm Gearboxes

# CWC063

Dimensions: mm



**Gearbox Mass: 6.2kg**

INPUT OPTIONS (mm)

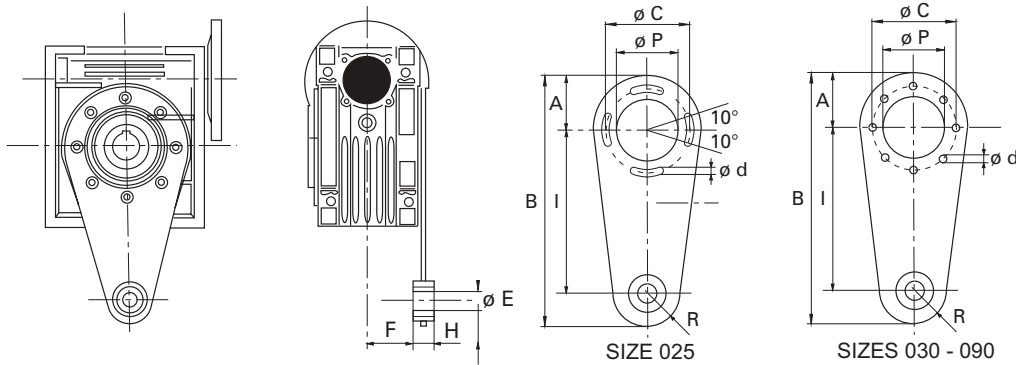
Frame Size:	P:	D:	b:	Frame Size:	P:	D:	b:
90B5	200	24	8	90B14	140	24	8
80B5	200	19	6	80B14	120	19	6
71B5	160	14	5	71B14	105	14	5

# Worm Gearboxes

# Accessories

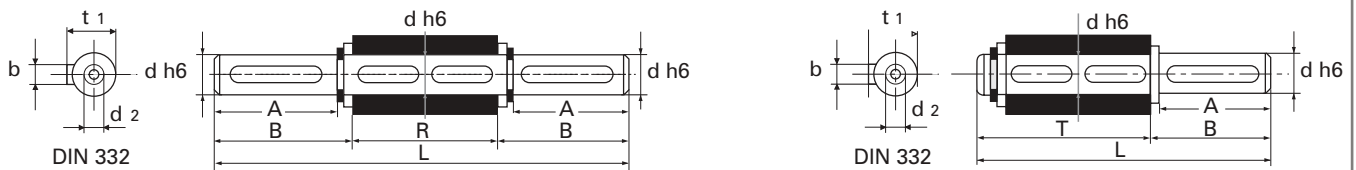
## TORQUE ARMS

Size:	I:	R:	F:	H:	ØE:	A:	B:	Øc:	Ød:	ØP	Holes:	Mass (kg)
025	70	15	17.5	14	8	33.5	118.5	55	7	45	4	0.17
030	85	15	24	14	8	38	138	65	7	55	8	0.18
040	100	18	31.5	14	10	44	162	75	7	60	8	0.24
050	100	18	38.5	14	10	50	168	85	9	70	8	0.27
063	150	18	49	14	10	55	223	95	9	80	8	0.57
075	200	30	47.5	25	20	70	300	115	9	95	8	1.10
090	200	30	57.5	25	20	80	310	130	11	110	8	1.26



## SINGLE SIDED OUTPUT SHAFTS

Size:	A:	Ød:	B:	b:	t1:	T:	L:	d2:	Mass (kg):
025	23	11	25.5	4	12.5	55.5	81	-	0.07
030	30	14	32.5	5	16	69.5	102	M6x16	0.14
040	40	18	43.0	6	20.5	85.0	128	M6x16	0.27
050	50	25	53.5	8	28	99.5	153	M10x22	0.60
063	50	25	53.5	8	28	119.5	173	M10x22	0.67
075	60	28	63.5	8	31	128.5	192	M10x22	0.94
090	80	35	84.5	10	38	149.5	234	M12x28	1.79



## DOUBLE SIDED OUTPUT SHAFTS

Size:	A:	Ød:	B:	R:	b:	t1:	L:	d2:	Mass: (kg)
025	23	11	25.5	50	4	12.5	101	-	0.11
030	30	14	32.5	63	5	16.0	128	M6x16	0.16
040	40	18	43.0	78	6	20.5	164	M6x16	0.34
050	50	25	53.5	92	8	28.0	199	M10x22	0.75
063	50	25	53.5	112	8	28.0	219	M10x22	0.84
075	60	28	63.5	120	8	31.0	247	M10x22	1.20
090	80	35	84.5	140	10	38.0	309	M12x28	2.50