

DC Permanent Magnet Motor **CI-0730** 70W

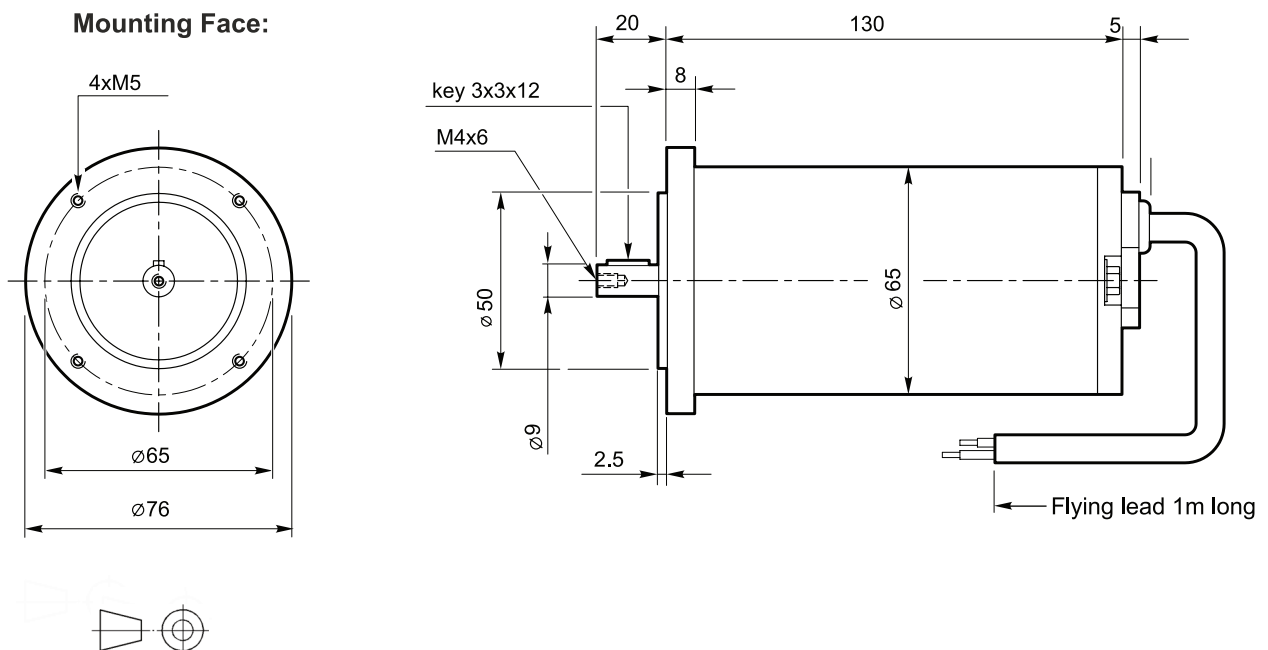
- DC Permanent Magnet Motor manufactured to IEC standards.
- Rated at 70W for Continuous Operation (S1).
- Also rated at 100W for Short Time Duty (S2, 20 minutes).
- Available in 12V or 24V versions, both rated at 3000rpm.
- Mounting: 76mm diameter Face with 9mm diameter shaft (56-B14).
- Totally Enclosed Construction, class F insulation.
- Protection: IP-20, higher IP ratings available.
- Range of Gearboxes available.
- Built with Ferrite Magnets which are Environmentally Friendly.



Type:	Duty:	Duty Time: [mins.]	Rated Power: [W]	Rated Voltage: [V]	Rated Current: [A]	Rated Torque: [Nm]	Max. Form Factor:	Rated Speed: [rpm]	Protection:	Mass: [kg]
CI-0730-12	S1	Continuous	70	12	8.4	0.22	1.05	3000	IP-20	1.7
	S2	20	100		11.8	0.31				
CI-0730-24	S1	Continuous	70	24	4.2	0.22				
	S2	20	100		5.9	0.31				

Part Numbers:	CI-0730-xx	xx = 12 or 24V.
---------------	-------------------	-----------------

Motor Dimensions (mm):

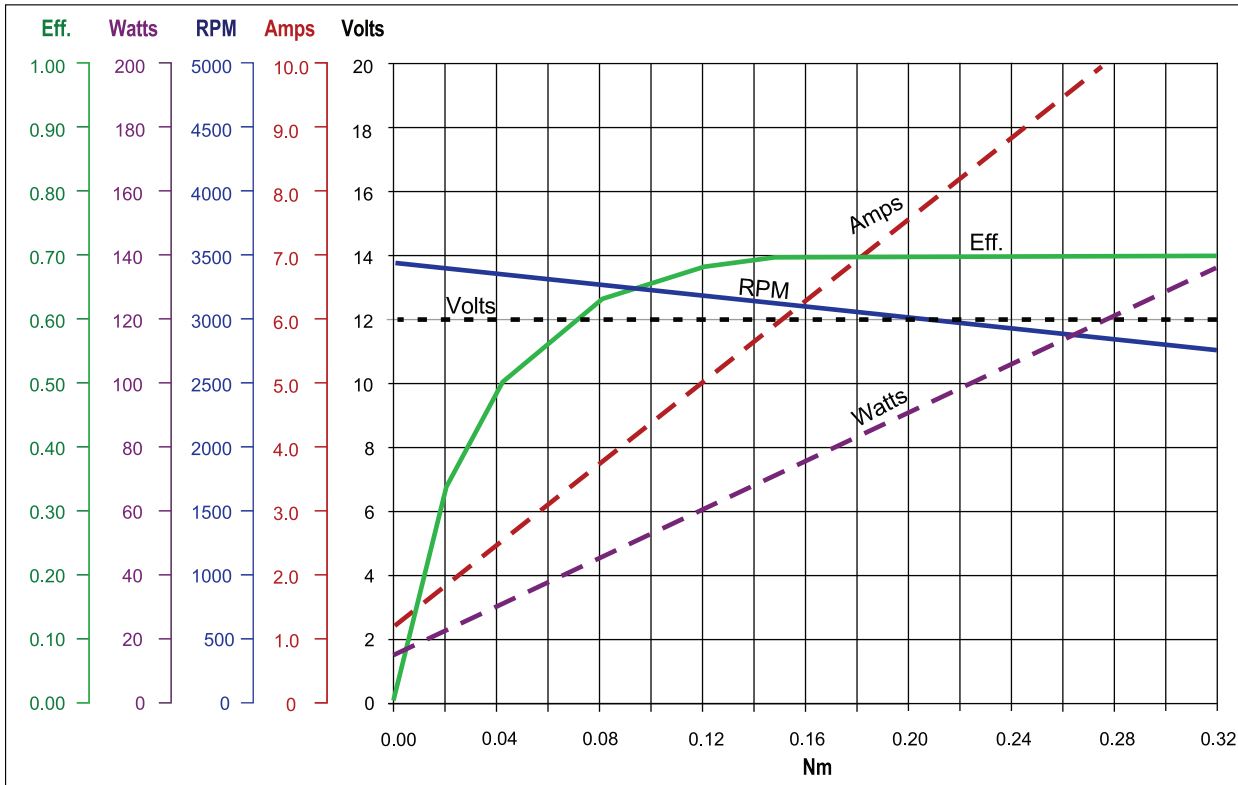


Performance Curves

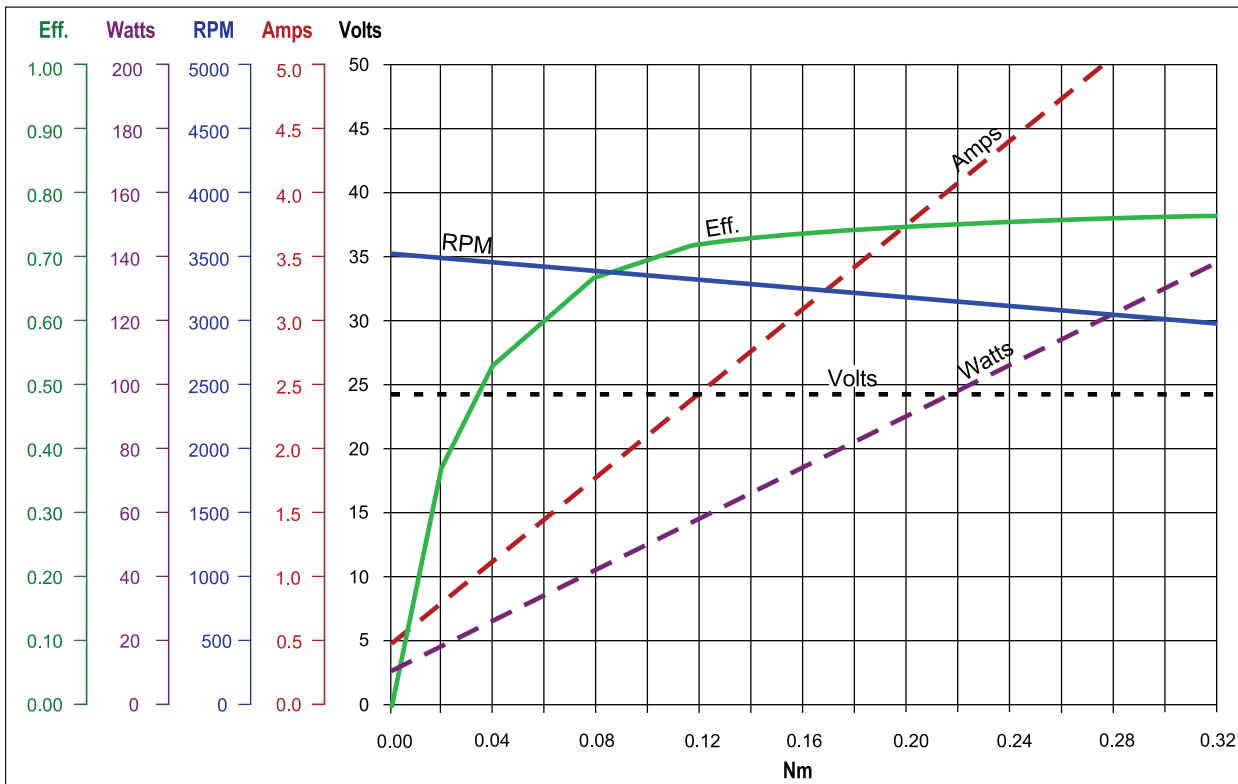
CI-0730

70W

12V



24V



DC Permanent Magnet Motor **CI-1030** 100W

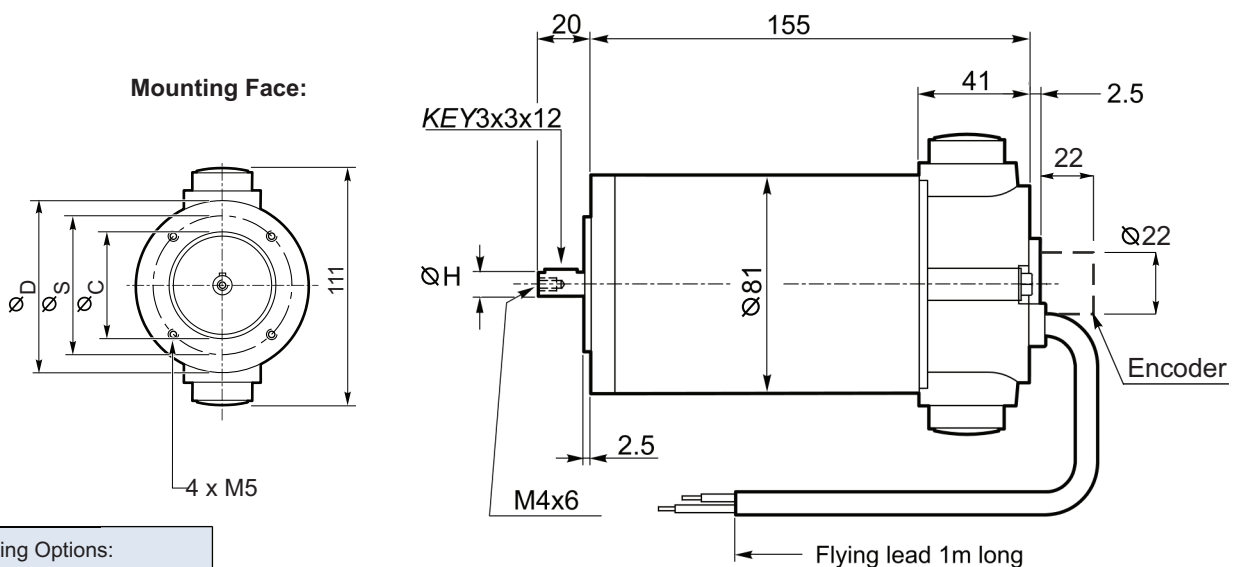
- DC Permanent Magnet Motor manufactured to IEC standards.
- Rated at 100W for Continuous Operation (S1).
- Also rated at 140W for Short Time Duty (S2, 25minutes).
- Available in 12V or 24V versions, both rated at 3000rpm.
- Mounting: 80 or 90mm diameter face (56-B14 or 63-B14).
- Totally Enclosed Construction, class F insulation.
- Protection: IP-40, IP-66 available.
- Range of Gearboxes available.
- Encoder options available.



Part Number:	Duty:	Duty Time: [mins.]	Rated Power: [W]	Rated Voltage: [V]	Rated Current: [A]	Rated Torque: [Nm]	Max. Form Factor:	Rated Speed: [rpm]	Protection:	Mass: [kg]
CI-1030-12	S1	Continuous	100	12	12.0	0.31	1.05	3000	IP-40	2.7
	S2	25	140		16.8	0.43				
CI-1030-24	S1	Continuous	100	24	6.0	0.31				
	S2	25	140		8.4	0.43				

Part Numbers:	CI-1030-xx-yy-z	xx = 12 or 24V, yy = 56 or 63 mounting, z = E for Encoder.
---------------	------------------------	--

Motor Dimensions (mm):



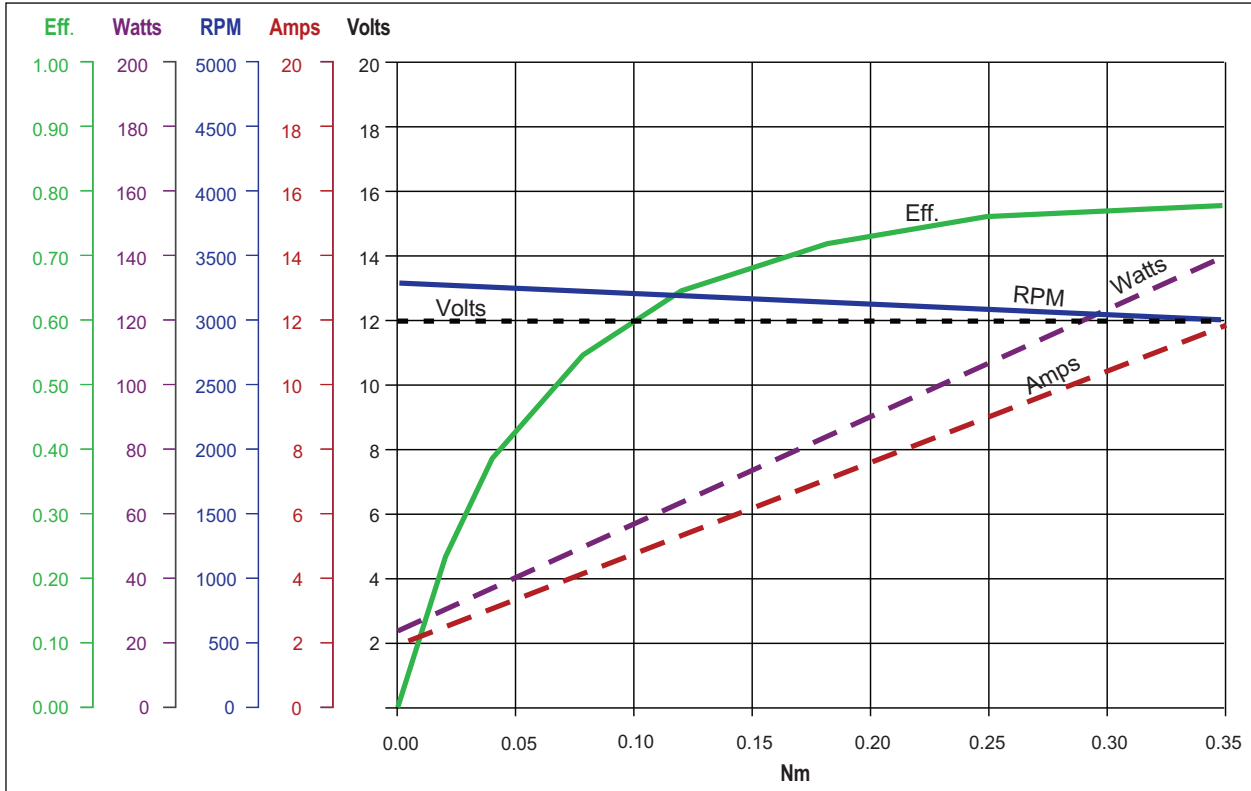
Mounting Options:		
Dimension:	56 B14	63 B14
S	65	75
C	50	60
D	80	90
H	9 x 17.5	11 x 17.5

Performance Curves

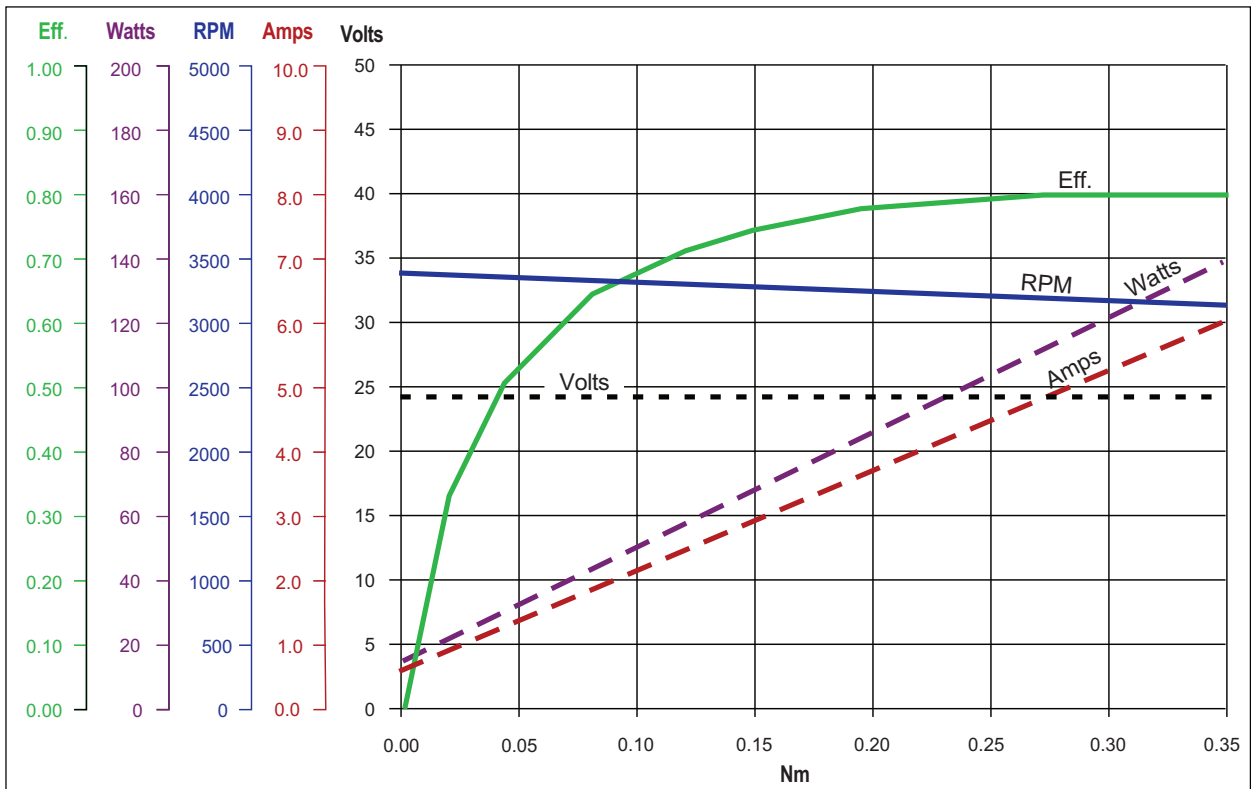
CI-1030

100W

12V



24V



DC Permanent Magnet Motor **CI-1830** 180W

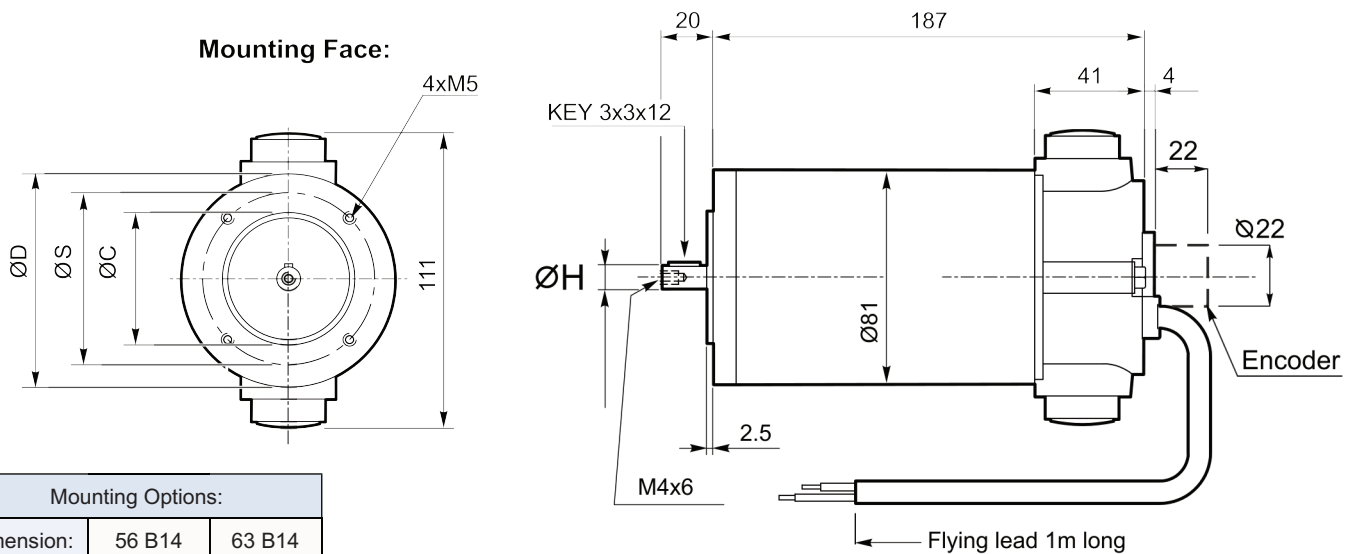
- DC Permanent Magnet Motor manufactured to IEC standards.
- Rated at 180W for Continuous Operation (S1).
- Also rated at 250W for Short Time duty (S2 25 minutes).
- Available in 12 or 24V versions, both rated at 3000RPM.
- Mounting: 80 or 90mm diameter face (56-B14 or 63-B14).
- Totally Enclosed Construction, class F insulation.
- Protection: IP-40, IP-65 available.
- Range of Gearboxes available.
- Encoder options.



Part Number:	Duty:	Duty Time: [mins.]	Rated Power: [W]	Rated Voltage: [V]	Rated Current: [A]	Rated Torque: [Nm]	Max. Form Factor:	Rated Speed: [rpm]	Protection:	Mass: [kg]
CI-1830-12	S1	Continuous	180	12	22	0.57	1.05	3000	IP-40	3.4
	S2	25	250		30	0.80				
CI-1830-24	S1	Continuous	180	24	11	0.57				
	S2	25	250		15	0.80				

Part Numbers:	CI-1830-xx-yy-z	xx = 12 or 24V, yy = 56 or 63 mounting, z = E for Encoder.
---------------	------------------------	--

Motor Dimensions (mm):



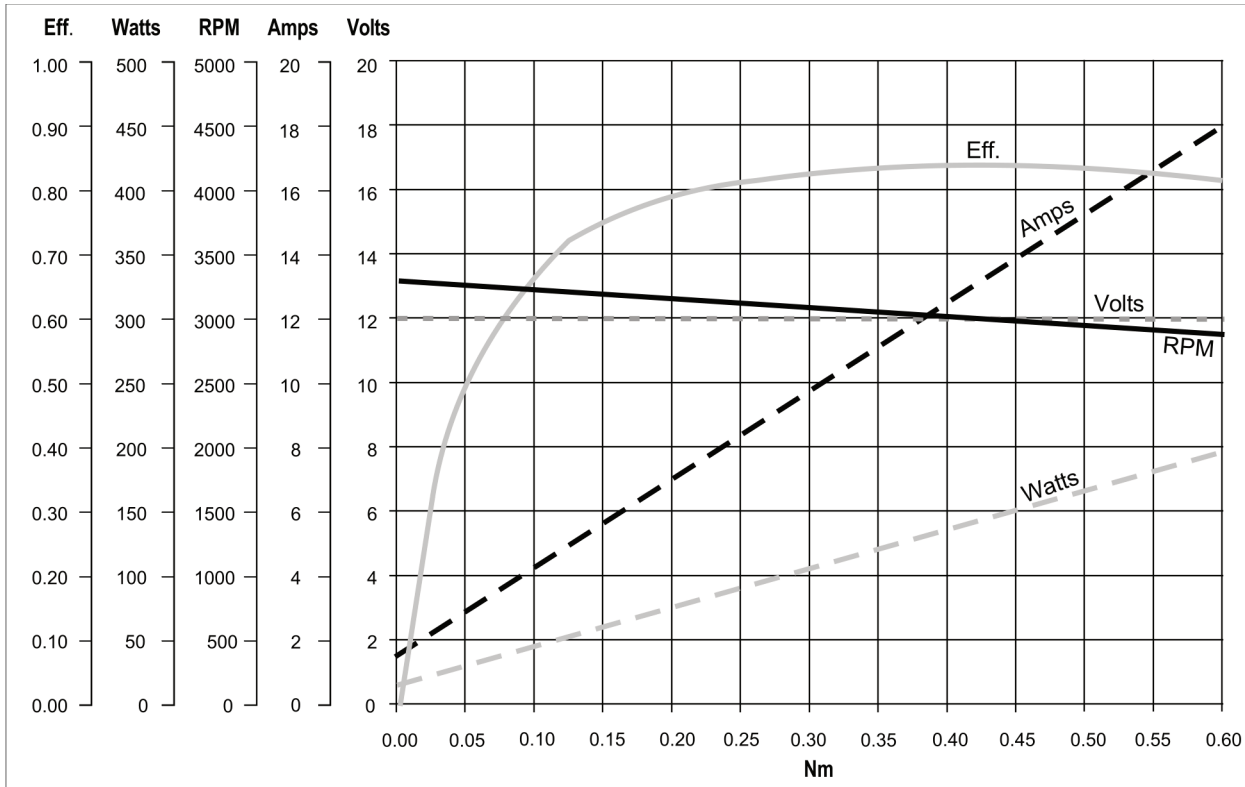
Mounting Options:		
Dimension:	56 B14	63 B14
S	65	75
C	50	60
D	80	90
H	9 x 17.5	11 x 17.5

Performance Curves

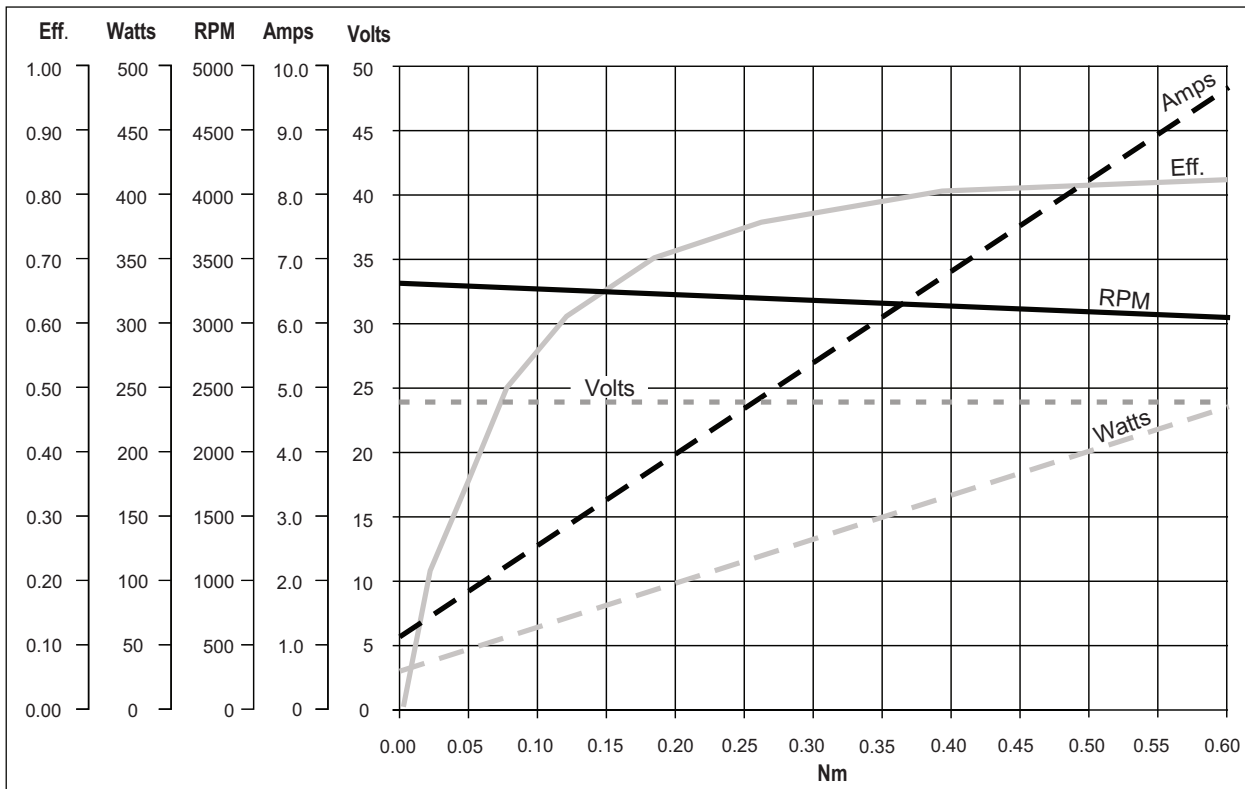
CI-1830

180W

12V



24V



DC Permanent Magnet Motor **CI-2530** 250W

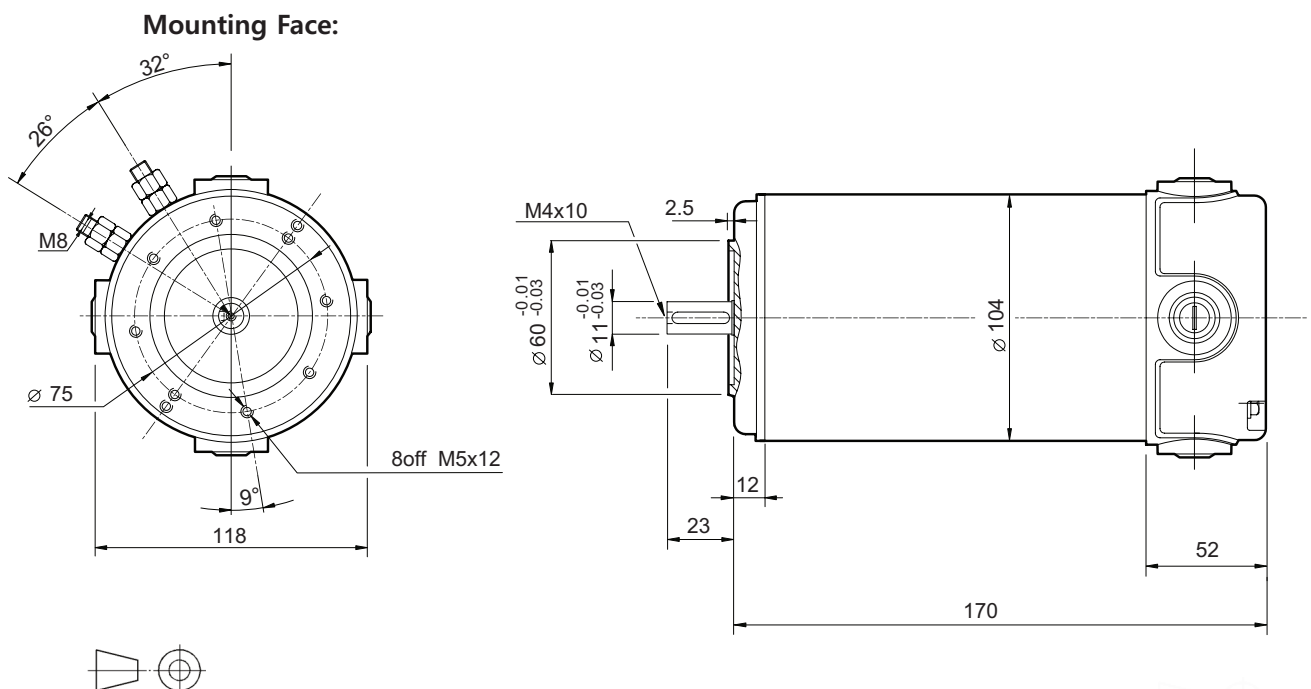
- DC Permanent Magnet Motor built to IEC standards.
- Rated at 250W for continuous operation (S1).
- Also rated at 350W for Short Time duty (S2, 25 minutes).
- Available in 12V or 24V versions, both rated at 3000rpm.
- 104 mm motor diameter with 11mm shaft.
- Totally Enclosed Construction, IP-40 Protection.
- Connection: Terminals M8 x 2.
- Mounting: 63-B14 Face.
- Range of Gearboxes available.



Type:	Duty:	Duty Time: [mins.]	Rated Power: [W]	Rated Voltage: [V]	Rated Current: [A]	Rated Torque: [Nm]	Max. Form Factor:	Rated Speed: [rpm]	Protection:	Mass: [kg]
CI-2530-12	S1	Continuous	250	12	30	0.8	1.05	3000	IP-40	4.2
	S2	25	350		38.5	1.12				
CI-2530-24	S1	Continuous	250	24	15	0.8				
	S2	25	350		20.5	1.12				

Part Numbers:	CI-2530-xx	xx = 12 or 24V.
---------------	-------------------	-----------------

Motor Dimensions (mm):

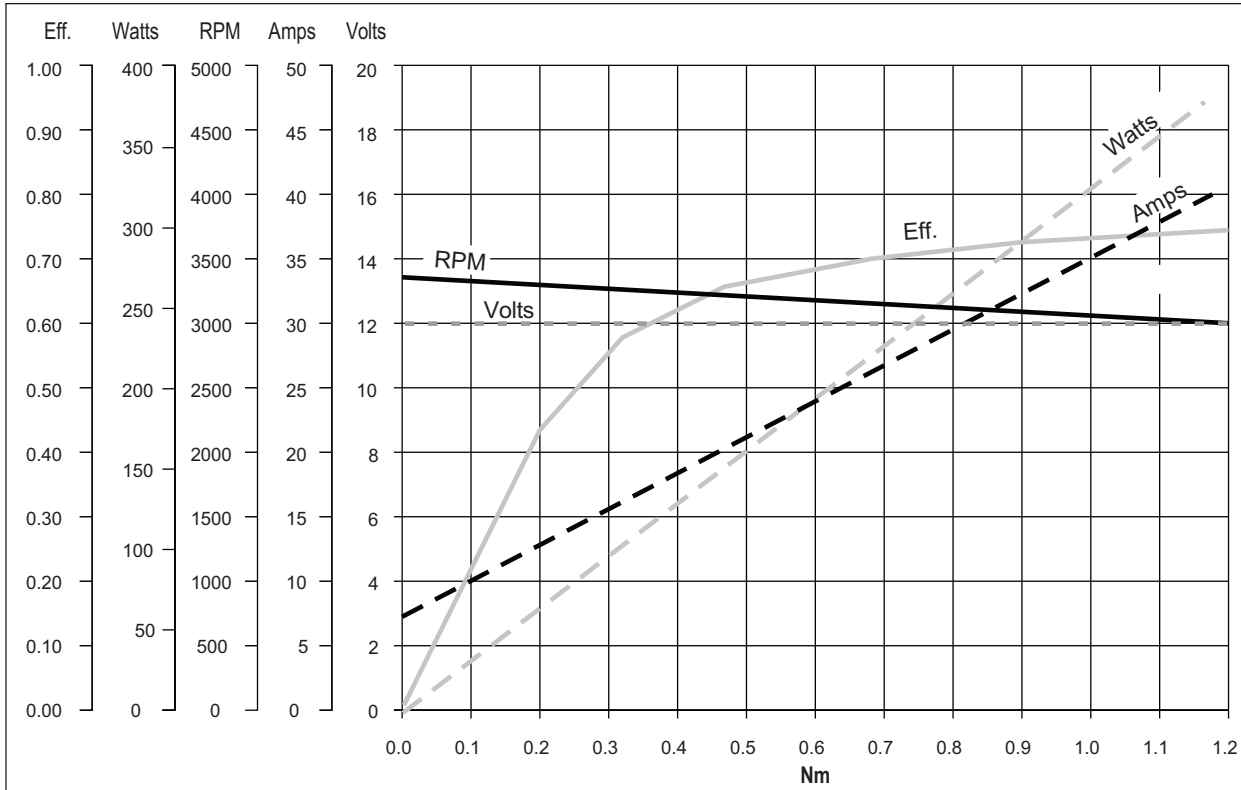


Performance Curves

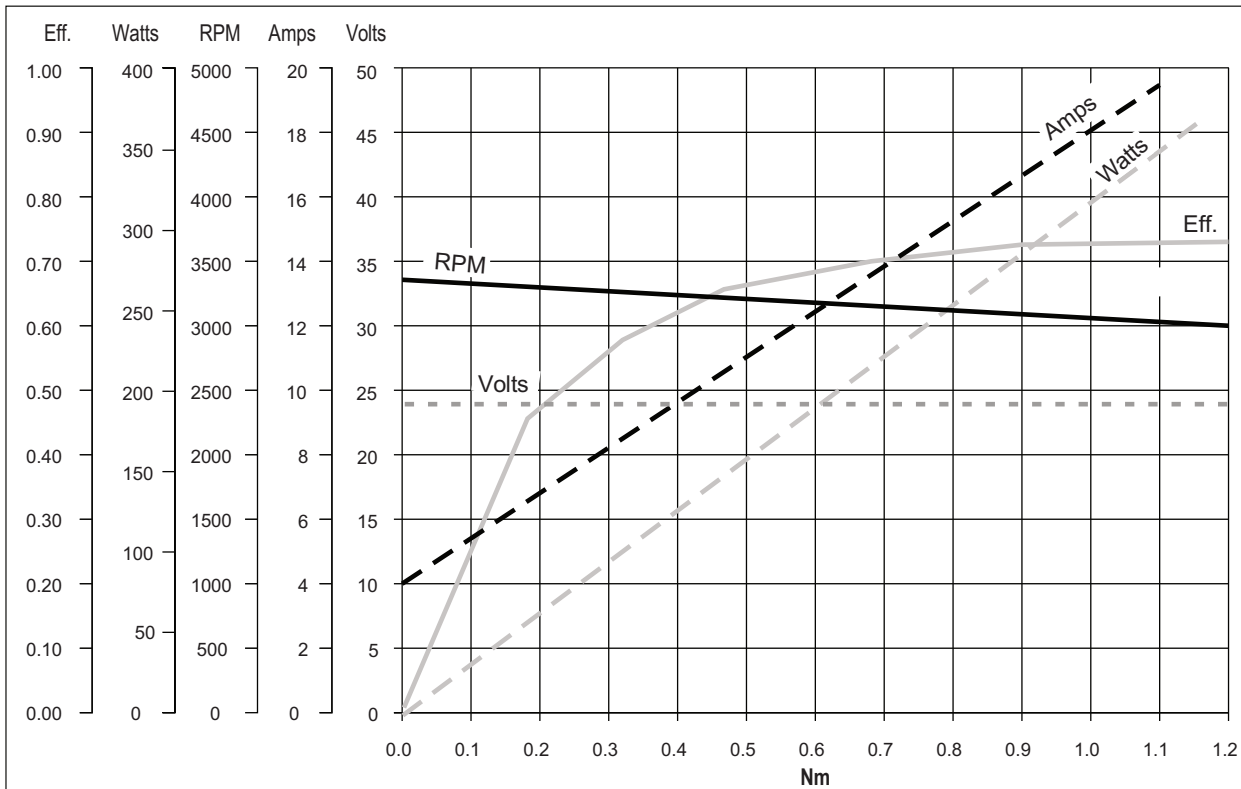
CI-2530

250W

12V



24V



DC Permanent Magnet Motor **CI-3530** **350W**

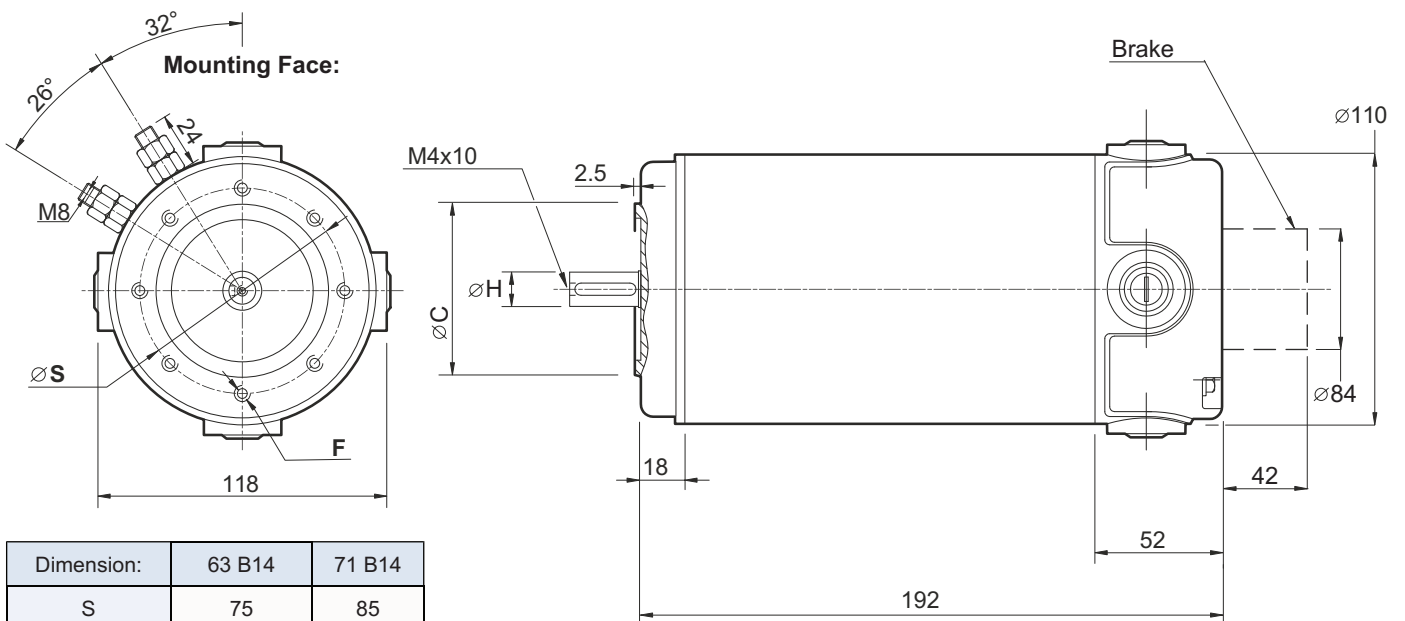
- DC Permanent Magnet Motor built to IEC standards.
- Rated at 350W for continuous operation (S1).
- Also rated at 500W for Short Time duty (S2, 25 minutes).
- Available in 12V or 24V versions, both rated at 3000rpm.
- 110 mm motor diameter with 11 or 14mm shafts.
- Totally Enclosed Construction, IP-40 Protection.
- Connection: M8 Terminals.
- Mounting: 63 or 71-B14 Face.
- Brake available.



Type:	Duty:	Duty Time: [mins.]	Rated Power: [W]	Rated Voltage: [V]	Rated Current: [A]	Rated Torque: [Nm]	Max. Form Factor:	Rated Speed: [rpm]	Protection:	Mass: [kg]
CI-3530-12	S1	Continuous	350	12	42	1.12	1.05	3000	IP-40	5.1
	S2	30	500		59	1.57				
CI-3530-24	S1	Continuous	350	24	21	1.12				5.3
	S2	30	500		30	1.57				

Part Numbers:	CI-3530-xx-yy-z	xx = 12 or 24V, yy = 63 or 71 mounting, z = B for Brake.
---------------	------------------------	--

Motor Dimensions (mm):



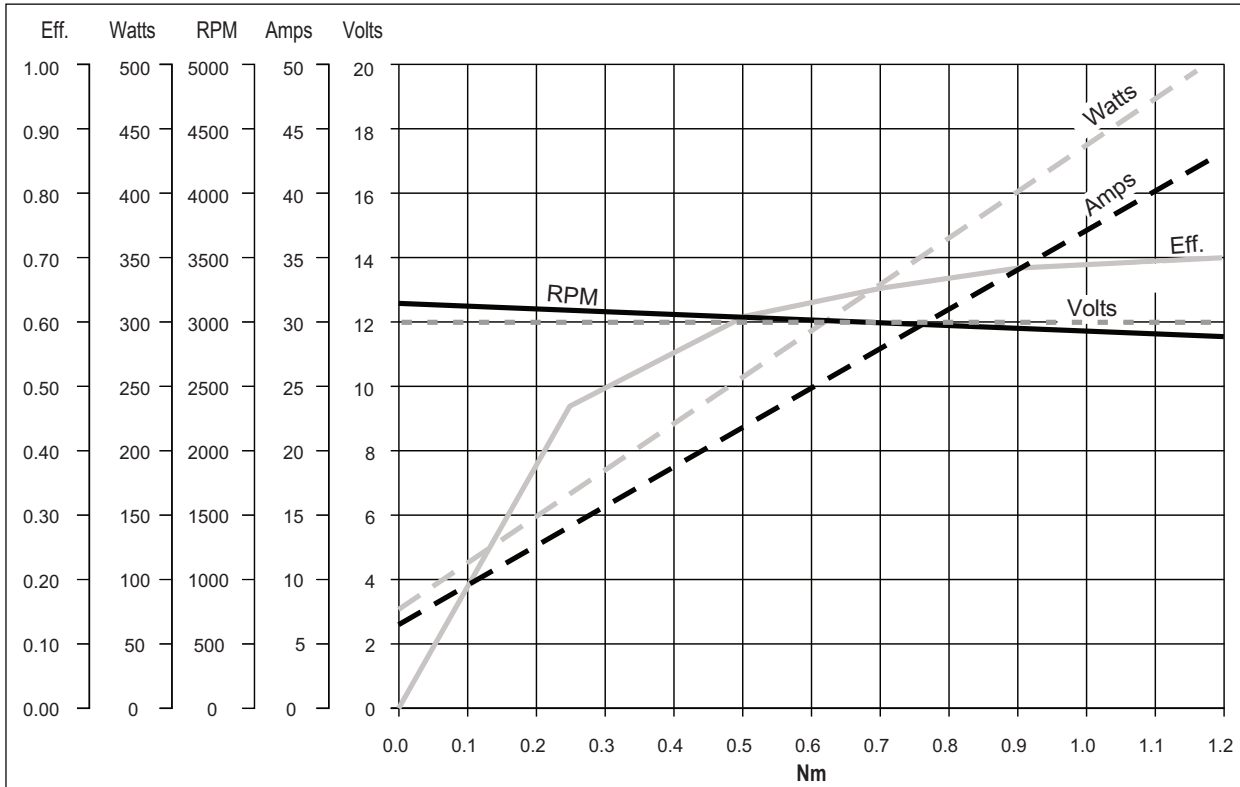
Dimension:	63 B14	71 B14
S	75	85
C	60	70
F	8 x M5	8 x M6
H	11 x 20.5	14 x 28

Performance Curves

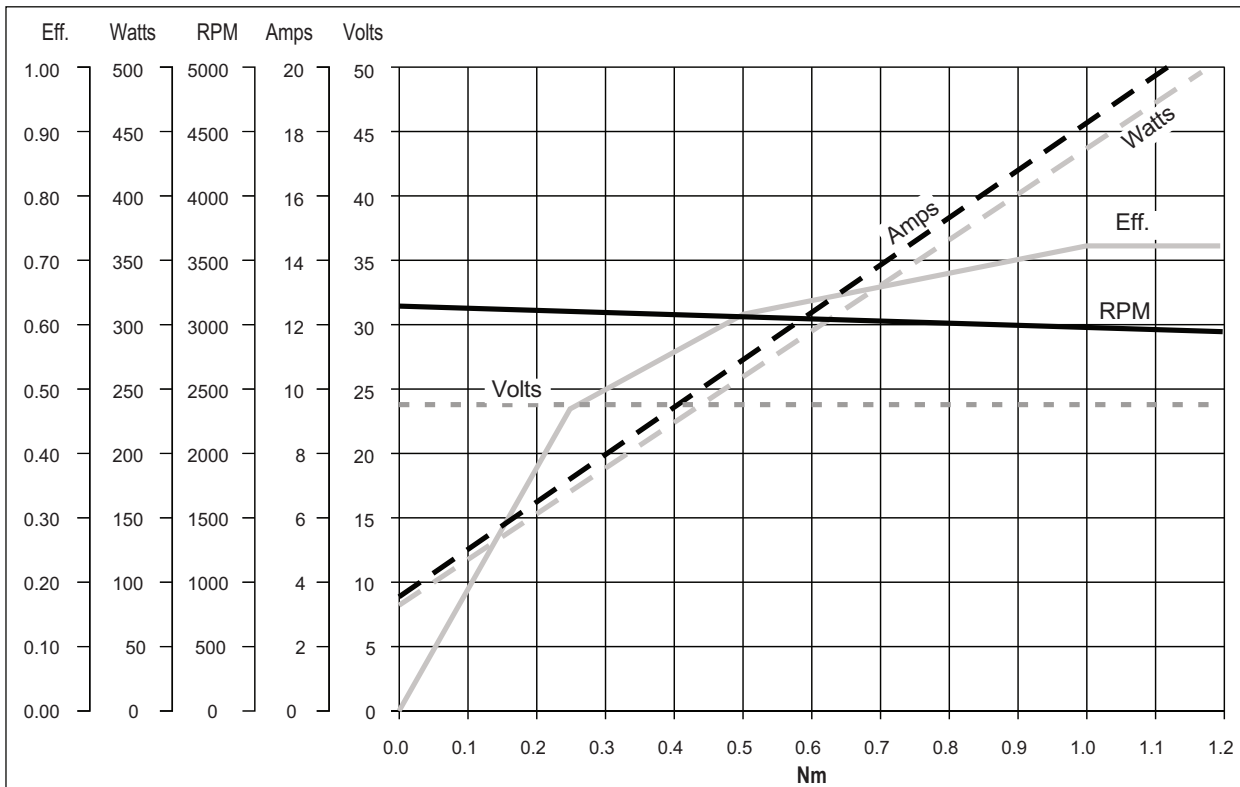
CI-3530

350W

12V



24V



DC Permanent Magnet Motor **CI-6030** 600W

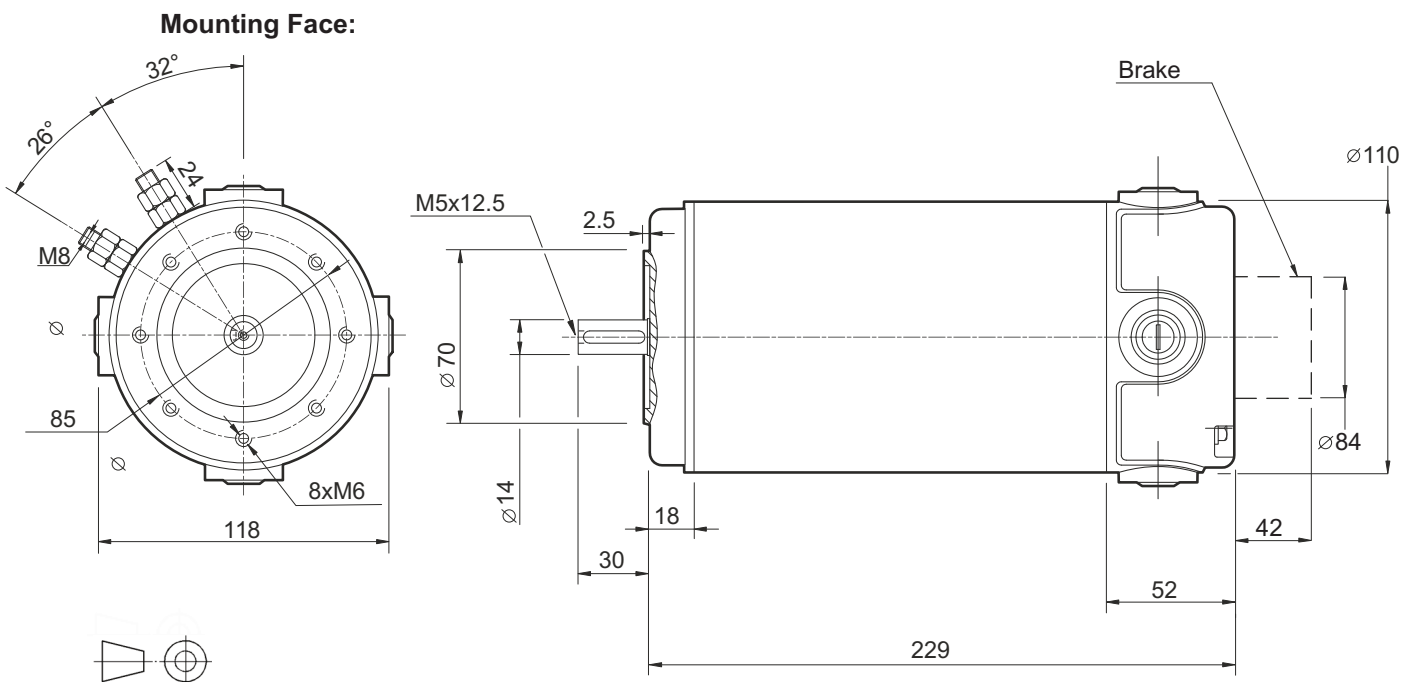
- DC Permanent Magnet Motor manufactured to IEC standards.
- Rated at 600W for Continuous Operation (S1).
- Also rated at 800W for Short Time duty (S2 30 minutes).
- Available in 12V or 24V versions, both rated at 3000rpm.
- Mounting: 105mm diameter face (71-B14).
- Totally Enclosed Construction, IP-40 Protection.
- Connection: M8 Terminals.
- Brake optional.
- Range of Gearboxes available.



Type:	Duty:	Duty Time: [mins.]	Rated Power: [W]	Rated Voltage: [V]	Rated Current: [A]	Rated Torque: [Nm]	Max. Form Factor:	Rated Speed: [rpm]	Protection:	Mass: [kg]
C-I6030-12	S1	Continuous	600	12	71	1.91	1.05	3000	IP-40	6.6
	S2	30	800		94.4	2.54				
C-I6030-24	S1	Continuous	600	24	35.5	1.91				7.1
	S2	30	800		47.2	2.54				

Part Numbers:	CI6030-xx-y	xx = 12 or 24V, y = B for Brake.
---------------	--------------------	----------------------------------

Motor Dimensions (mm):

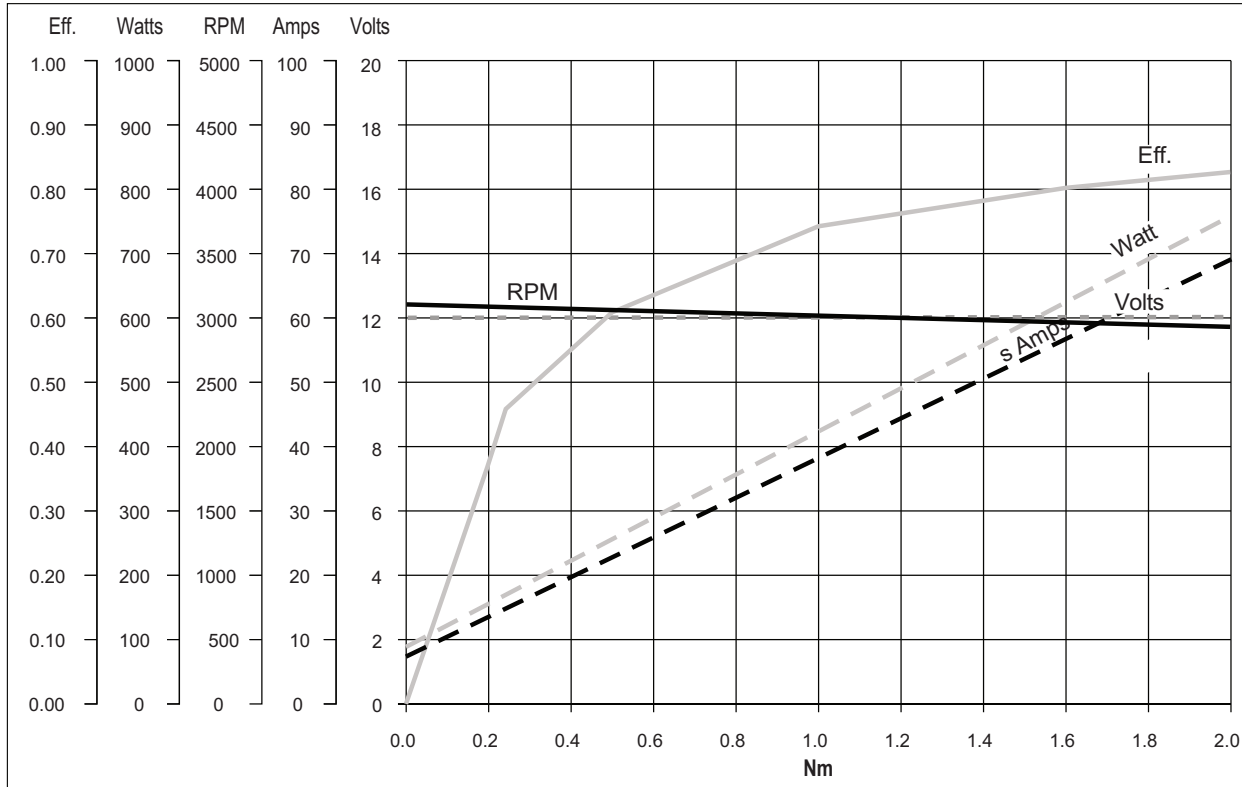


Performance Curves

CI-6030

600W

12V



24V

