

DC Permanent Magnet Motor **CI-0229** 20W

- DC Permanent Magnet Motor manufactured to IEC standards.
- Rated at 20W for Continuous Operation (S1).
- Also rated at 30W for Short Time Duty (S2, 6 minutes).
- Available in 12 or 24V versions.
- Mounting: 42mm diameter Face with 6mm diameter shaft.
- Totally Enclosed Construction, IP-20 Protection, class F insulation.
- 2850rpm Rated Speed.
- Connection: 2.8mm Faston Terminals.
- Ferrite Magnets used which are Environmentally Friendly.
- Available with Planetary Gearboxes.
- Encoder also available.

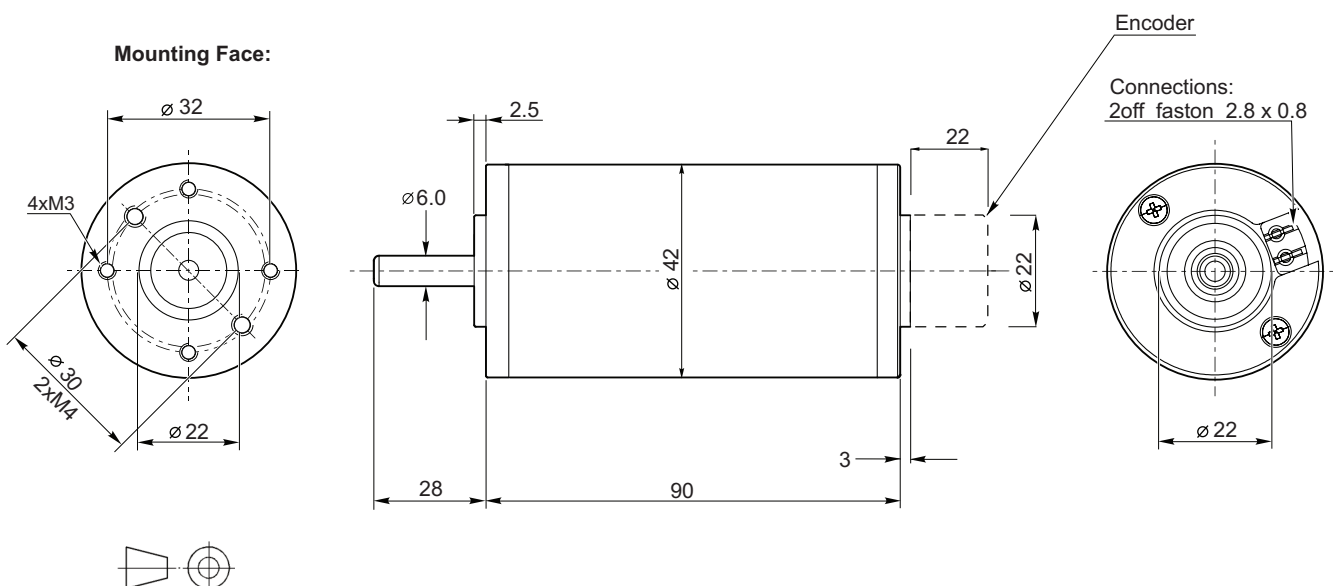


20W Motor with Planetary Gearbox

Type:	Duty:	Duty Time: [mins.]	Rated Power: [W]	Rated Voltage: [V]	Rated Current: [A]	Rated Torque: [Nm]	Max. Form Factor:	Rated Speed: [rpm]	Protection:	Mass: [kg]
CI-0229-12	S1	Continuous	20	12	2.6	0.06	1.05	2850	IP-20	0.4
	S2	6	30		3.5	0.08				
CI-0229-24	S1	Continuous	20	24	1.4	0.06				
	S2	6	30		1.9	0.08				

Part Numbers:	CI-0229-xx-y	xx = 12 or 24V, y = E for Encoder.
---------------	---------------------	------------------------------------

Motor Dimensions (mm):

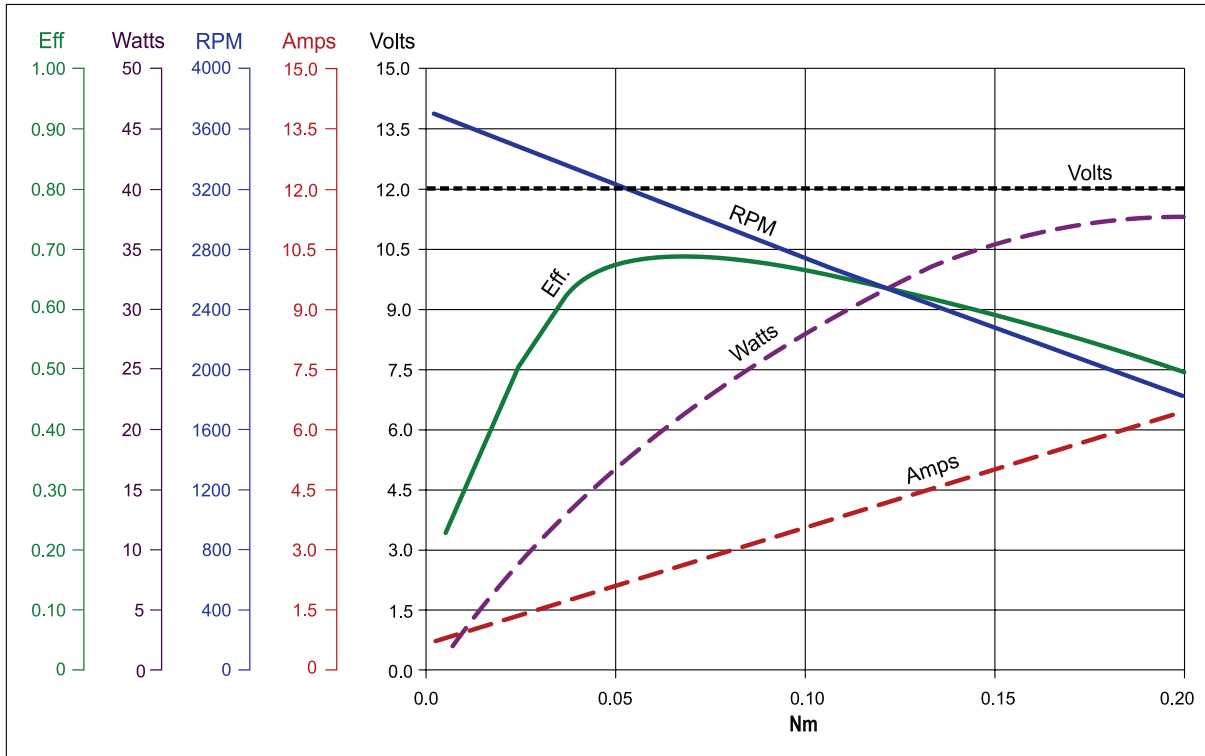


Performance Curves

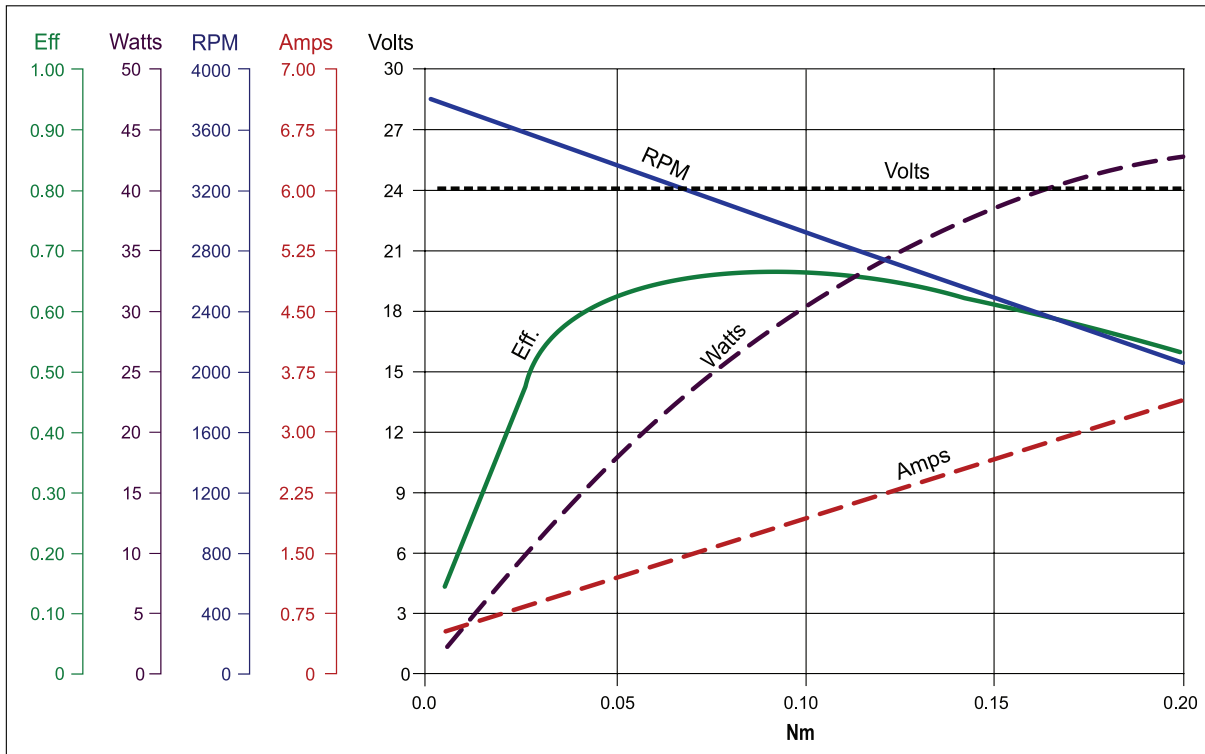
CI-0229

20W

12V



24V



DC Permanent Magnet Motor **CI-0330**

35W

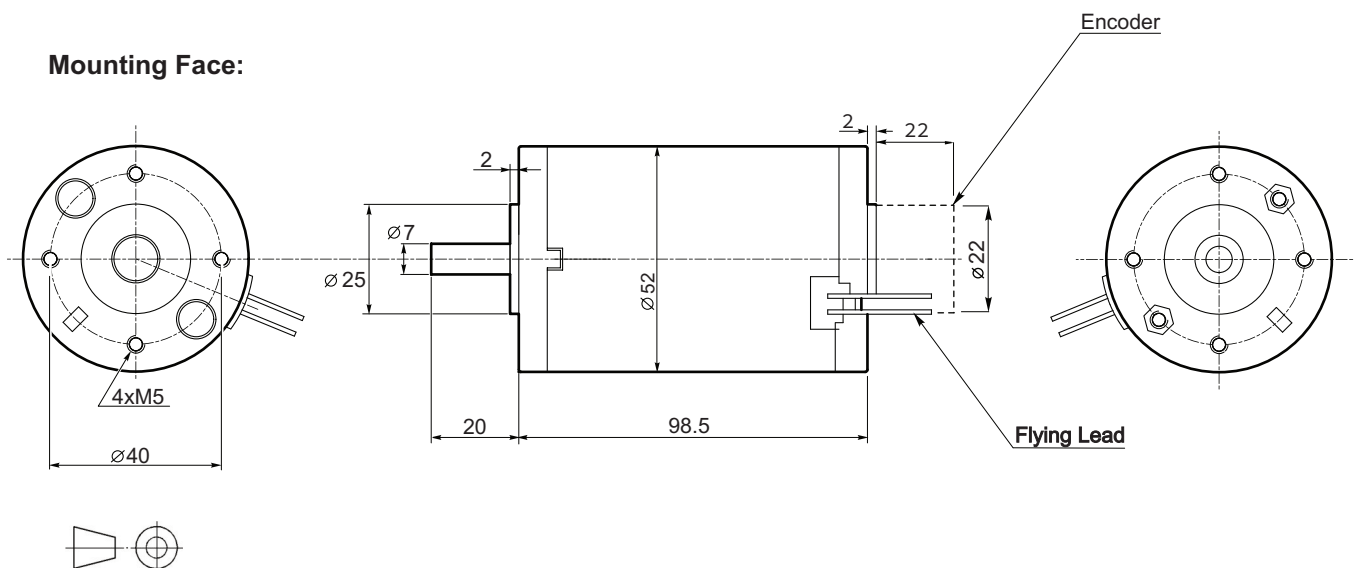
- DC Permanent Magnet Motor manufactured to IEC standards.
- Rated at 35W for Continuous Operation (S1).
- Also rated at 55W for Short Time Duty (S2, 9 minutes).
- Available in 12 or 24V versions.
- Mounting: 52mm diameter Face with 7mm diameter shaft.
- Totally Enclosed Construction, IP-20 Protection, class F insulation.
- 3000rpm Rated Speed.
- Connection: Flying leads, 22cm long.
- Ferrite Magnets used which are Environmentally Friendly.
- Gearbox types available: Planetary and Worm.
- Encoder available.



Type:	Duty:	Duty Time: [mins.]	Rated Power: [W]	Rated Voltage: [V]	Rated Current: [A]	Rated Torque: [Nm]	Max. Form Factor:	Rated Speed: [rpm]	Protection:	Mass: [kg]
CI-0330-12	S1	Continuous	35	12	5.2	0.11	1.05	3000	IP-20	0.8
	S2	9	55		8.0	0.18				
CI-0330-24	S1	Continuous	35	24	2.6	0.11				
	S2	9	55		4.0	0.18				

Part Numbers:	CI-0330-xx-y	xx = 12 or 24V, y = E for encoder.
---------------	---------------------	------------------------------------

Motor Dimensions (mm):

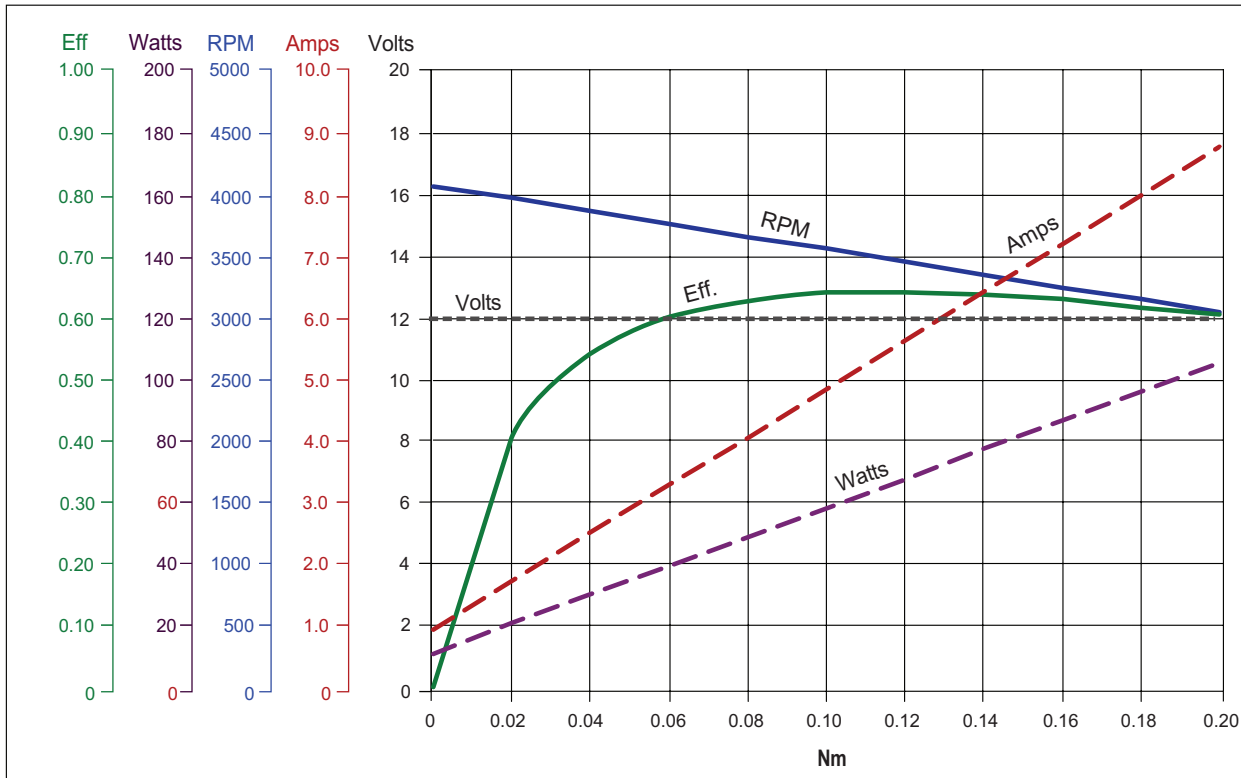


Performance Curves

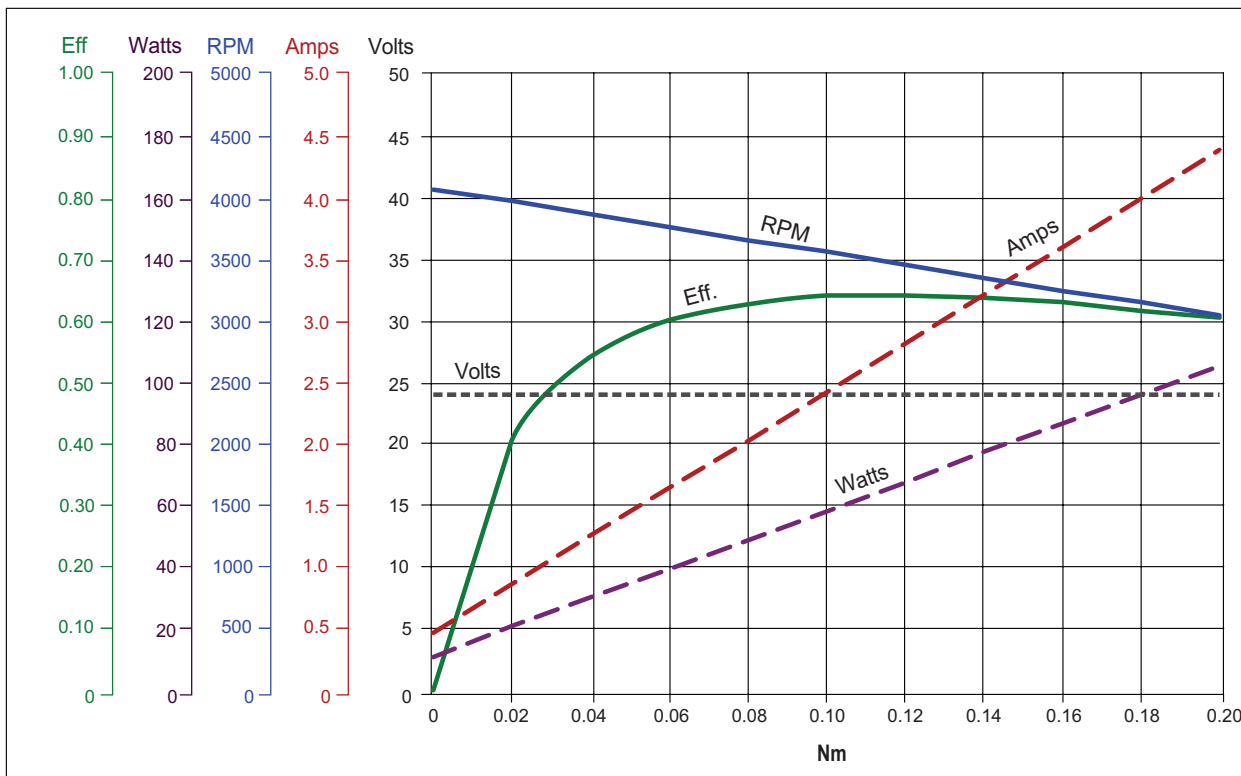
CI-0330

35W

12V



24V



DC Permanent Magnet Motor **CI-0530**

50W

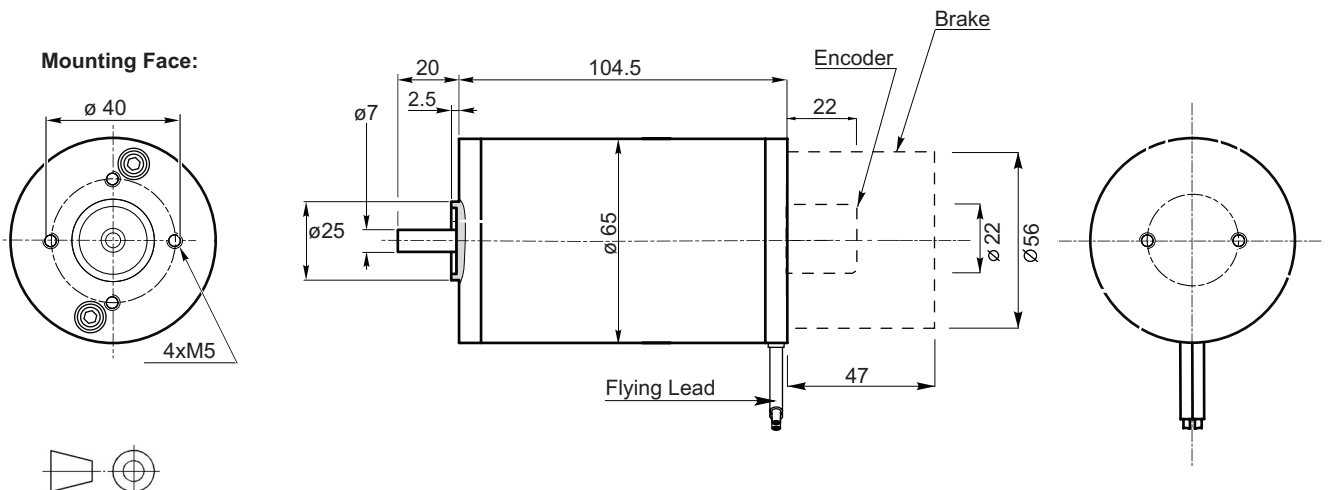
- DC Permanent Magnet Motor manufactured to IEC standards.
- Rated at 50W for Continuous Operation (S1).
- Also rated at 70W for Short Time Duty (S2, 30 minutes).
- Available in 12 or 24V versions.
- Mounting: 65mm diameter Face with 7mm diameter shaft.
- Totally Enclosed Construction, IP-20 Protection, class F insulation.
- 3000rpm Rated Speed.
- Connection: Flying leads, 20cm long.
- Ferrite Magnets used which are Environmentally Friendly.
- Gearbox types available: Planetary and Worm
- Encoder or Brake available.



Type:	Duty:	Duty Time: [mins.]	Rated Power: [W]	Rated Voltage: [V]	Rated Current: [A]	Rated Torque: [Nm]	Max. Form Factor:	Rated Speed: [rpm]	Protection:	Mass: [kg]
CI-0530-12	S1	Continuous	50	12	6.5	0.16	1.05	3000	IP-20	1.2
	S2	30	70		9.0	0.22				
CI-0530-24	S1	Continuous	50	24	3.2	0.16				
	S2	30	70		4.5	0.22				

Part Numbers:	CI-0530-xx-y	xx = 12 or 24V, y = E for encoder or B for Brake
---------------	---------------------	--

Motor Dimensions (mm):

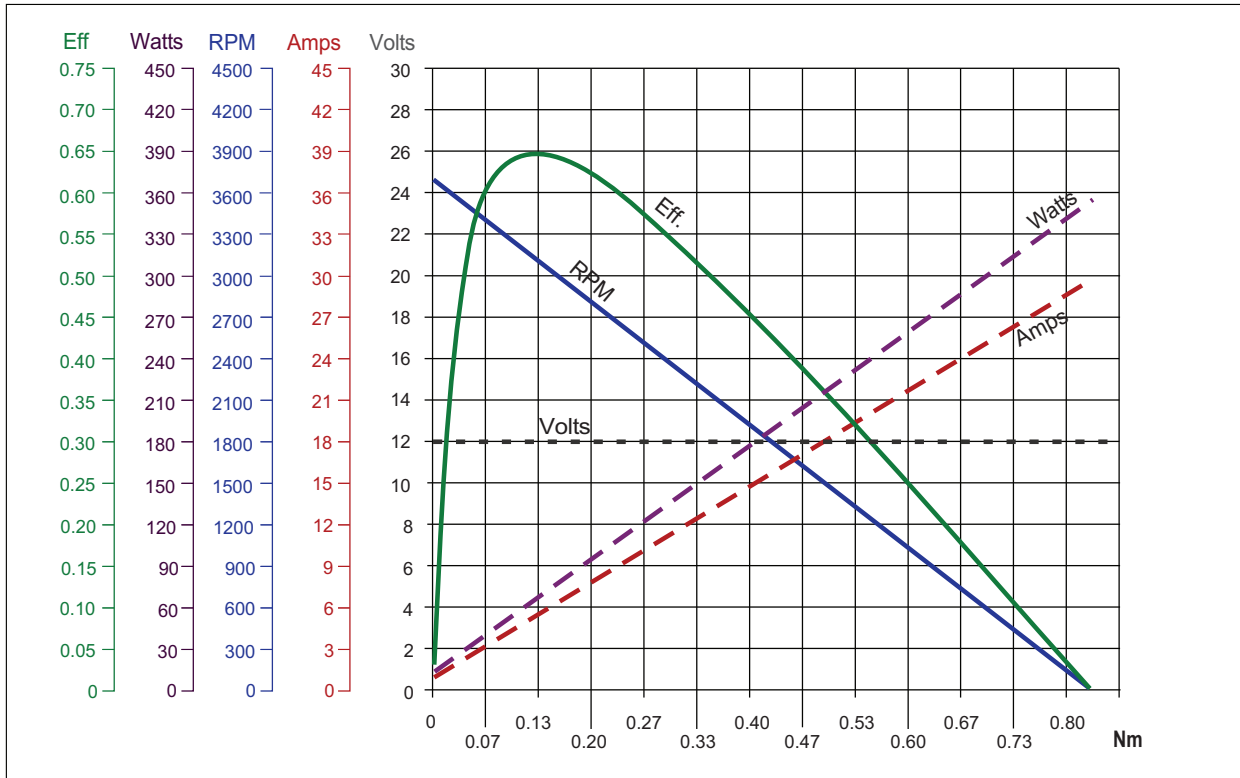


Performance Curves

CI-0530

50W

12V



24V

