

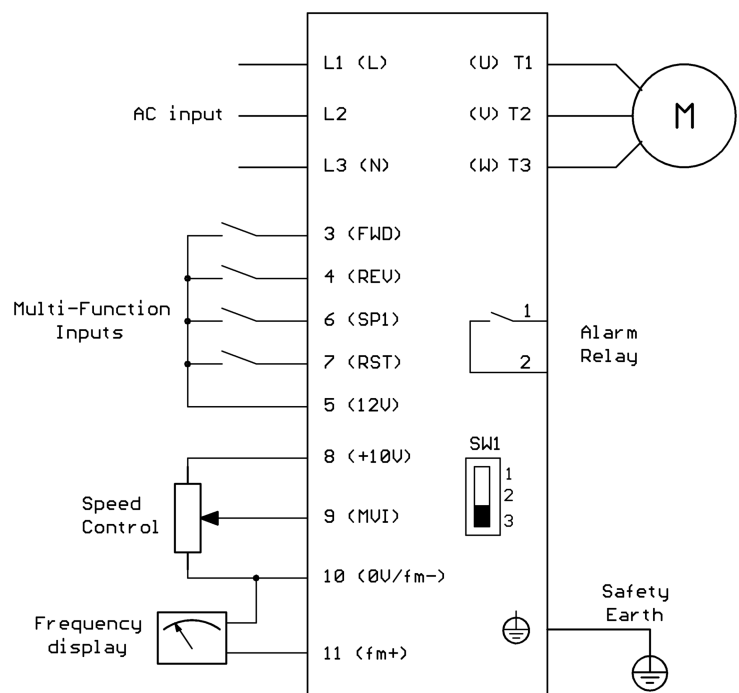


AC Variable Speed Drives 0.37 - 2.2kW

E3 Series inverters are general purpose economy drives supplied in IP65 rated enclosures. Rich in features yet compact in size these variable speed AC drives are easy to set up and use. The rugged fanless design leads to increased reliability and the generous heatsink design enables operation in ambient temperatures up to 50 deg.C. Often used straight out of the box, programming where required is straight forward and a quick-start guide is included. The bright LED display shows output frequency, programming data and fault codes. Front mounted potentiometer and direction switch ensure that connection is quick and simple.

- Rugged low cost solution
- IP65 construction
- Fanless design with large heatsink
- 150% overload for 60 seconds
- Potentiometer speed control
- Forward-Off-Reverse switch
- Supply Isolator switch
- EMC filter included
- Versions available for Single or 3-phase supply
- 50 degC ambient rating
- Fast setup, factory defaults suitable for most applications

Connection Diagram:



Inverter Data:

Model: E3-xxxx-yy	0400-24	0750-24	1500-24	2200-24	0750-40	1500-40	2200-40	
Rated Motor Power [kW]	0.37	0.75	1.5	2.2	0.75	1.5	2.2	
Rated Output Current [A]	2.3	4.2	7.5	10.5	2.3	3.8	5.2	
Input Voltage [V]	200 – 240 Single Phase				380 – 480 3-Phase			
Input Frequency [Hz]	50 – 60							
Output voltage [V]	200 – 240 3-Phase				380 – 480 3-Phase			
Analog Input [Vdc]	0 – 10							
Logic Input [Vdc]	0 - 10 or 0 – 24							
Control Method	Voltage-Frequency, PWM Sinusoidal Waveform							
Weight [kg]	3.4	3.4	6.2	6.2	6.2	6.2	6.2	
Frame Size	1	1	2	2	2	2	2	
Height [mm]	205	205	295	295	295	295	295	
Width [mm]	134	134	232	232	232	232	232	
depth [mm]	174	174	211	211	211	211	211	
Enclosure Protection	IP65 (NEMA 4)							
Frequency Control	Frequency Range [Hz]	1 – 200						
	Digital Resolution [Hz]	0.1 (1 – 99.9 Hz), 1.0 (100 – 200 Hz)						
	By Keypad	Adjusted by Up and Down buttons						
	By External Signal	0 – 10V, 4 – 20 mA, 0 – 20 mA						
	Display	3 Digit LED: Output Frequency, Program Parameter, Fault Codes						
	Other Functions	Frequency Upper and Lower Limits						
General Control	PWM Frequency [kHz]	4 – 16						
	Accel/Decel Time [s]	0.1 – 999						
	V/F Profiles	6 Available						
	Torque Control	Adjustable Low Speed Boost Available						
	Multi-Function Inputs	2 Available: Multi-Speed / Jog / Emergency Stop / Reset / Auto Start / Etc.						
	Multi-Function Output	1 Relay Available: Fault / Running / Set Frequency						
	Braking Torque [max]	20%				20 – 100%, Brake Transistor Included		
	Other Functions	Decelerate / Coast to Stop, Auto Start, DC Braking with Adjustable Frequency, Voltage or Time						
Protection	Instantaneous Over-Current	Approx 200% of Rated Current						
	Overload	150% of Rated Current for 1 minute						
	DC Link Over Voltage [Vmax]	410				800		
	DC Link Under Voltage [Vmin]	200 – 240 3-Phase				400		
	Momentary Power Loss	0 – 2 Seconds, Restart by Speed Search						
	Stall Prevention	Accelerate / Decelerate / Constant Speed						
	Output Short Circuit	High Speed Electronic Current Limit						
Operating Temperature	-10 to +50 degC Ambient							
Humidity	0 – 95 RH non-condensing							
Vibration	Less than ± 1G							
Compliance with UL Standards	UL50BC							
Compliance with EU Standards	EN50081-1, EN50082-2, EN50178							