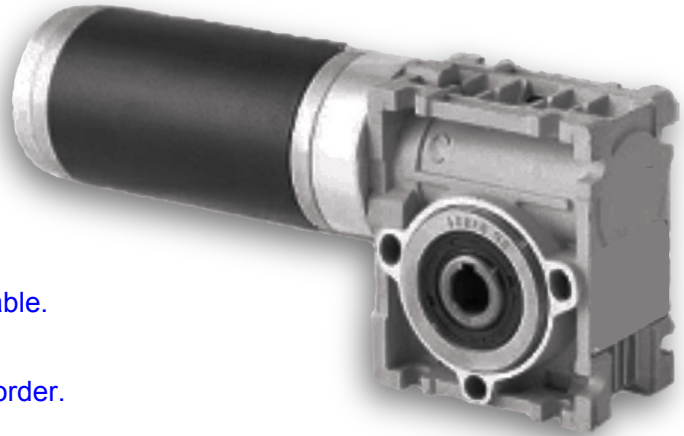


DC Worm Geared Motor **CCW026**

- Rated output speeds from 600 to 50rpm.
- Output torque up to 15Nm.
- High load capability on output shaft.
- All metal gears for long service life.
- Ball Bearings on output shaft.
- 3 motor sizes available.
- 24V DC brushed motor standard, 12V available.
- Hollow or solid output shafts available.
- Ratios other than listed available to special order.
- Encoder available on C03 and C10 motors.



The **CCW026** is the smallest in the Worm Gearbox range available from Cobalt Controls Ltd. It is offered with a choice of three DC Motors, C03, C07 or C10, each rated at 24 or 12 Volts DC.

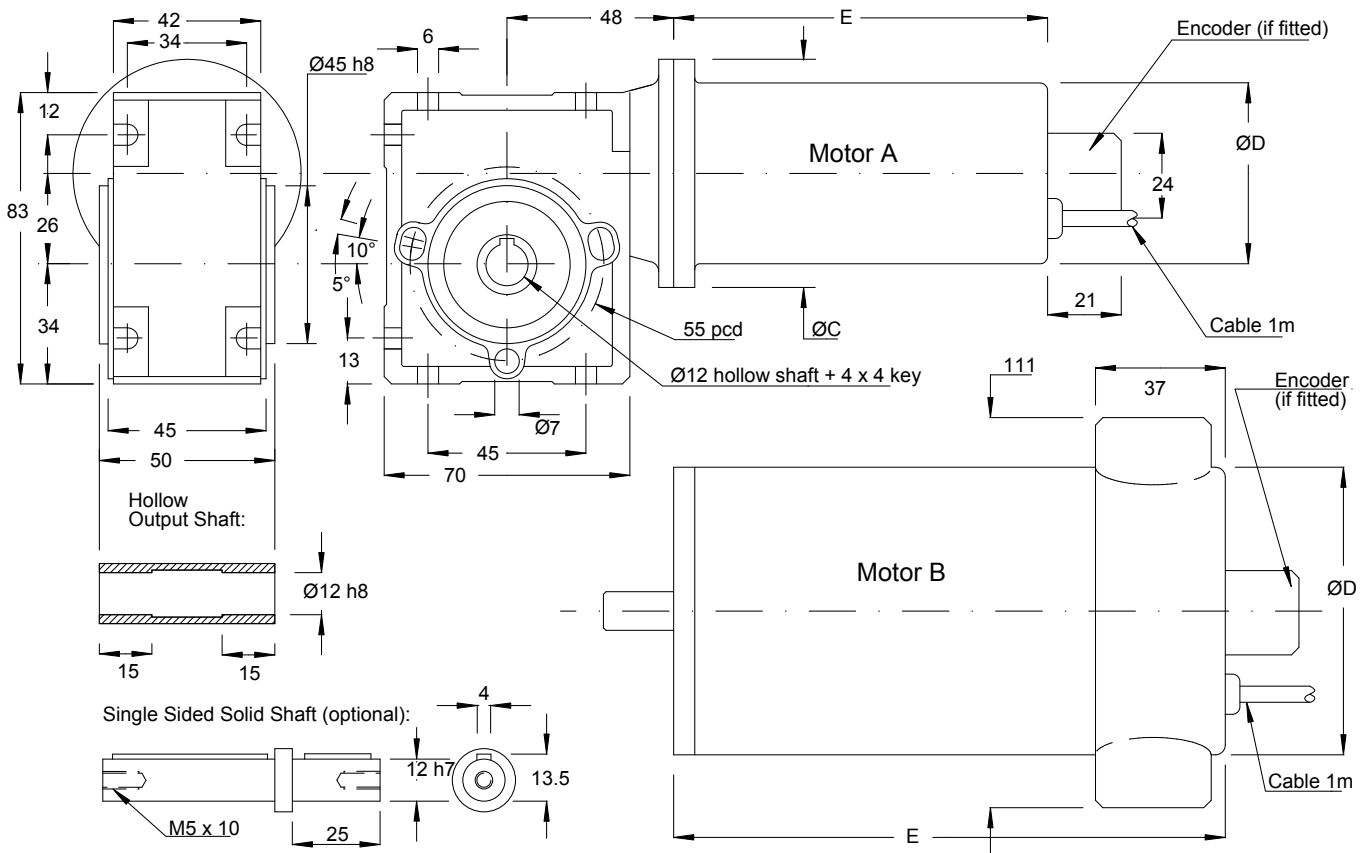
The standard output is a 12mm diameter hollow shaft and single or double sided solid shafts are also available. The die cast aluminium gearbox housing has been designed for maximum flexibility with fifteen possible positions for mounting bolts.

All gearboxes are pre-filled with synthetic oil, are maintenance free and can be mounted in any position.

Motors are Low Voltage DC Brushed Permanent Magnet and offer high starting torque. Shafts are supported on Ball Bearings and Totally Enclosed construction is used.

Worm gearboxes are normally the most economically priced of all gearbox types and are mechanically robust.

| Standard Versions: | | | | | | | | | |
|--------------------|---------------------|---------------------|--------------------|------------------------------|-------------------|---------------------|-----------------------|-------------------------|------------|
| Motor: | Rated Values: | | | | Motor Dimensions: | | | | Mass (kg): |
| | Output Speed (rpm): | Output Torque (Nm): | Motor current (A): | S2 Full Load Time (minutes): | Size: | Body Length E (mm): | Body Diameter D (mm): | Flange Diameter C (mm): | |
| C03 | 600 | 0.80 | 4.0 (24V) | 9 | A | 101 | 52 | 52 | 1.60 |
| | 300 | 1.50 | | | | | | | |
| | 200 | 2.20 | 8.0 (12V) | | | | | | |
| | 100 | 3.90 | | | | | | | |
| | 50 | 6.50 | | | | | | | |
| C07 | 600 | 1.38 | 5.9 (24V) | 20 | A | 110 | 65 | 80 | 2.50 |
| | 300 | 2.63 | | | | | | | |
| | 200 | 3.86 | 11.8 (12V) | | | | | | |
| | 100 | 6.79 | | | | | | | |
| | 50 | 11.16 | | | | | | | |
| C10 | 600 | 1.92 | 8.4 (24V) | 25 | B | 157 | 81 | 81 | 3.50 |
| | 300 | 3.65 | | | | | | | |
| | 200 | 5.36 | 16.8 (12V) | | | | | | |
| | 100 | 9.42 | | | | | | | |
| | 50 | 15.48 | | | | | | | |

Dimensions (mm):


| General Specification: | |
|------------------------------------|---|
| Rated motor voltage: | 24 Vdc standard, 12 Vdc available. |
| Output shaft radial load: | 350N maximum. |
| Output shaft axial load: | 70N maximum. |
| Operation at Rated Load (S2 Duty): | Can be operated at Rated Load for up to S2 Full Load Time followed by a cool down period. |
| Continuous operation (S1 Duty): | Maximum continuous torque = Rated Torque x 0.7 |
| Protection: | IP44 |
| Gearbox efficiency: | 0.89 at 600rpm, 0.60 at 50rpm. |
| Encoder: | CE22 encoder available on C03 and C10 motors (See encoder data sheet for details). |
| Ambient temperature: | 40°C max. at rated load. |

| Part Numbers: | |
|--|--|
| CCW026-xxxss-Cyy-zz+enc | xxx = output speed, ss = output shaft: 1S for single sided solid, 2S for double sided solid or H for hollow. yy = motor size, zz = voltage and enc = encoder part number if required. |
| Example: CCW026-2002S-C03-24+CE22-1002 | CCW026 worm geared motor, 200rpm, double sided solid output shaft, C03 24Vdc motor plus encoder with 100 pulses/rev and 2 channels. |