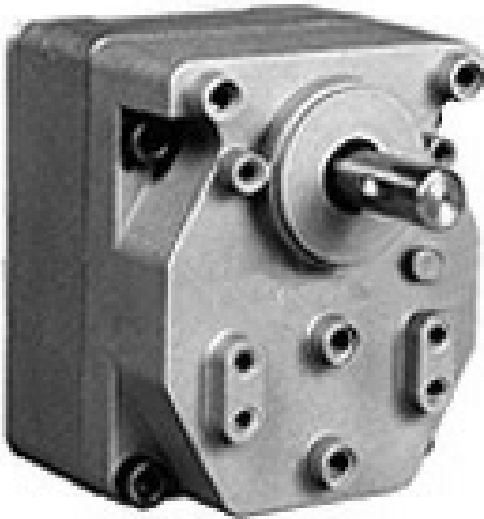


DC Geared Motor **CS80-C060**



- Heavy duty construction.
- High load capability on output shaft.
- Compact size.
- All metal gears for high efficiency and long service life.
- Ball bearings on output shaft.
- Lower cost than equivalent planetary gearbox.
- Large ratios possible, speed down to 1rpm available.
- Ratios other than those listed available to special order.
- 60W 24V DC brushed motor standard, 12 Vdc available.

This heavy duty geared motor is rated for continuous operation in any position. Maximum output torque is 8 Nm with a steady load.

The 10 mm diameter steel output shaft is supported on ball bearings. It has a flat and usable length of 30 mm.

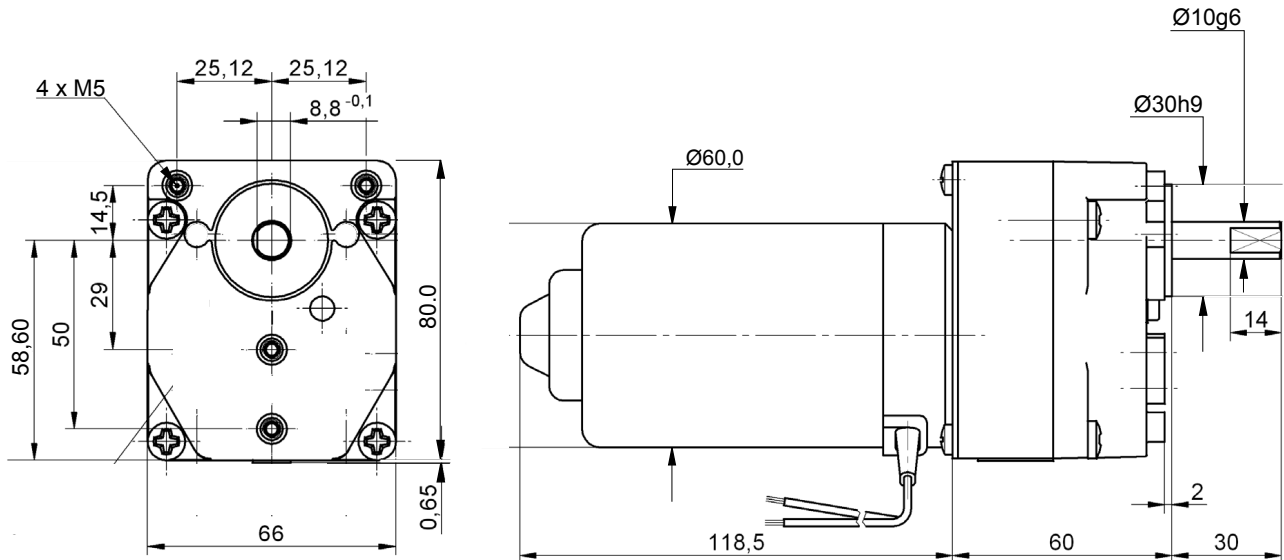
The gearbox housing is manufactured from die cast zinc alloy and mounted by four M5 threaded holes on the output face.

The 24V DC brushed motor is rated at 60W continuous and provides high torque for starting and low speed operation at a cost effective price.

To give the highest efficiency and long service life, precision hobbled spur gears are used throughout with steel pinions and gear wheels. These are case hardened with anti-friction heat treatment. Intermediate gears turn on hardened and ground steel shafts.

Standard ratios:						
Rated speed (rpm):	Rated torque (Nm):	Ratio:	Stages:	Mass (kg):	Max radial load (N):	Max axial load (N):
667	0.73	4.5	2	1.81	250	400
303	1.60	10	2			
104	4.20	29	3			
50	8.00	60	3			
20	8.00	150	4			

Dimensions (mm):



General Specification:	
Rated motor voltage:	12 or 24 Vdc
Rated motor power:	50W(12V), 60W(24V)
Rated motor current:	3.5A(24V), 5.8A(12V)
Duty:	Continuous (S1)
Protection:	IP20
Ambient temperature:	-15 to +50 degC
Lubrication:	Lithium grade 2 grease
Motor connection:	Flying leads.

Part Numbers:	
CS80-xxx-C060-zz	xxx = gearbox ratio, zz = voltage.
Example:	CS80-029-C060-24 = ratio 29:1, 24 Vdc motor.