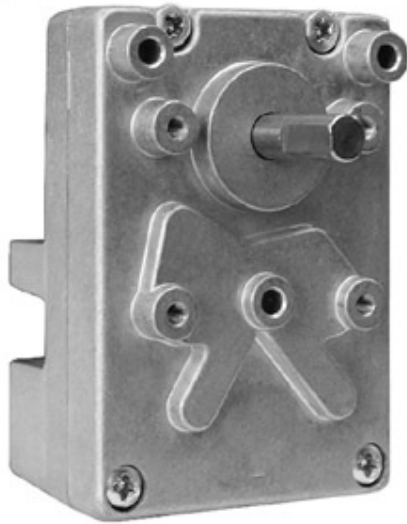


DC Geared Motor **CS40-C007**



- Heavy duty construction.
- High load capability on output shaft.
- Compact size.
- All metal gears for high efficiency and long service life.
- Lower cost than equivalent planetary gearbox.
- Ball bearings on output shaft.
- Large ratios possible, speed down to 2 rpm available.
- Ratios other than those listed available to special order.
- 7W 24 Vdc brushed motor standard, 12 Vdc available.
- Double shaft available.

This heavy duty geared motor is rated for continuous operation in any position. Maximum output torque is up to 5.5 Nm with a steady load.

The gearbox housing is manufactured from die cast zinc alloy and mounted by four M4 threaded holes on the output face.

To provide the highest efficiency and long service life, precision hobbled spur gears are used throughout with steel pinions and gear wheels. These are case hardened with anti-friction heat treatment. Intermediate gears are mounted on

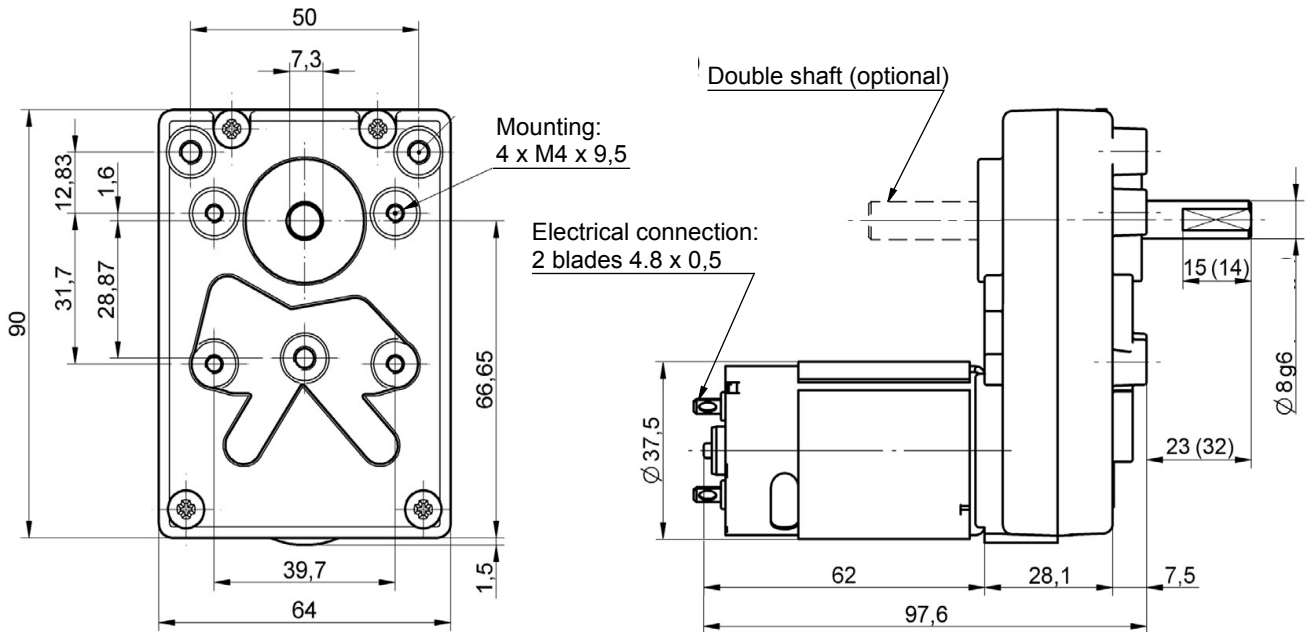
hardened and ground steel shafts.

The 8 mm diameter steel output shaft is supported on ball bearings. It has a flat and a usable length of 23 mm.

The 24V DC brushed motor is rated at 7W continuous and provides high torque for starting and low speed operation at a cost effective price.

Standard ratios:						
Rated speed (rpm):	Rated torque (Nm):	Ratio:	Stages:	Mass (kg):	Max radial load (N):	Max axial load (N):
106	0.45	32	3	0.74	250	400
48	1.00	72	3			
20	2.16	173	4			
10	4.36	350	4			
5	5.50	709	5			

Dimensions (mm):



General Specification:	
Rated motor voltage:	12 or 24 Vdc
Rated motor power:	7W
Rated motor current:	0.4A(24V), 0.9A(12V)
Duty:	Continuous (S1)
Protection:	IP20
Ambient temperature:	-15 to +50 degC
Lubrication:	Lithium grade 2 grease
Motor connection:	2 blades 4.8 x 0.5mm

Part Numbers:	
CS40-xxx-y-C007-zz	xxx = gearbox ratio, y = D for double shaft, zz = voltage.
Example:	CS40-099-C007-24 = ratio 99:1, single shaft, 24 Vdc motor.